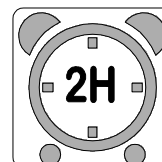
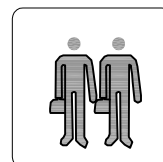
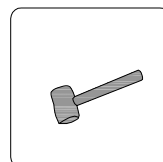
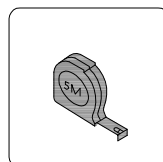
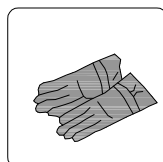
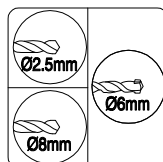
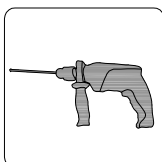
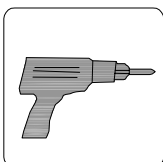
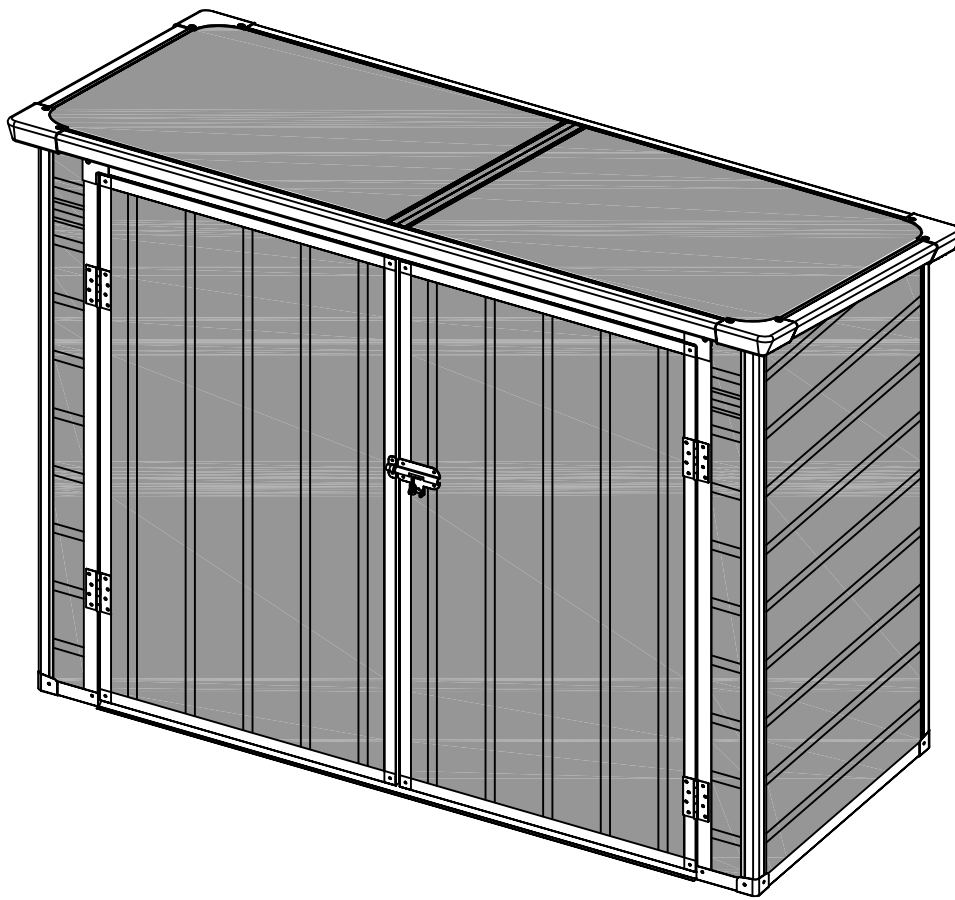
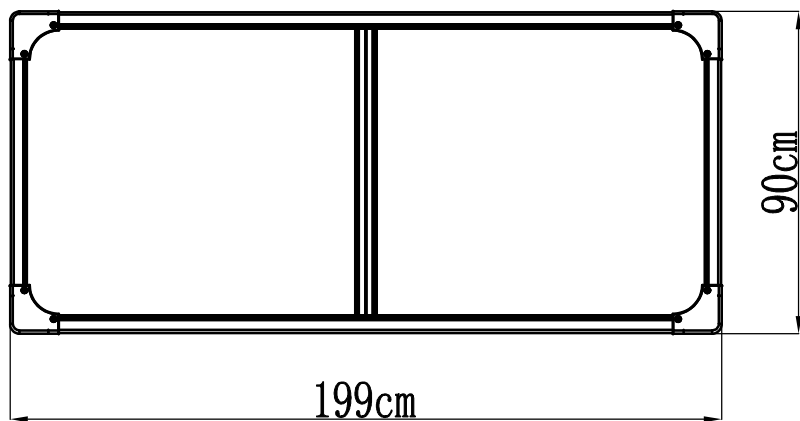
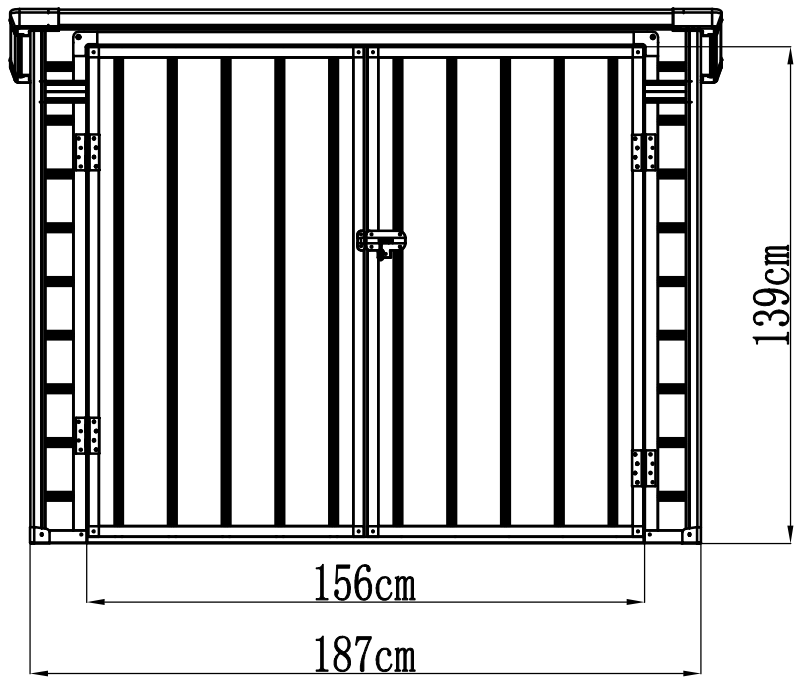
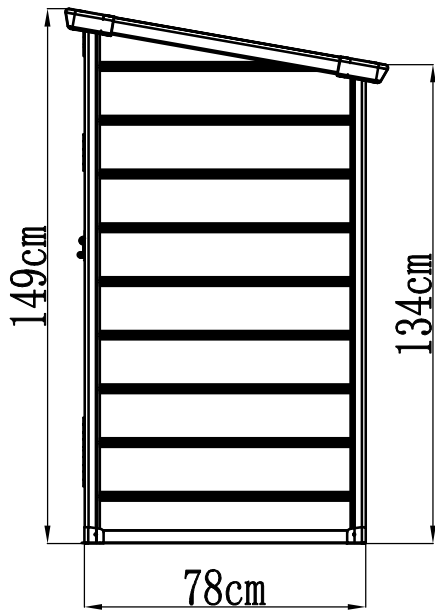


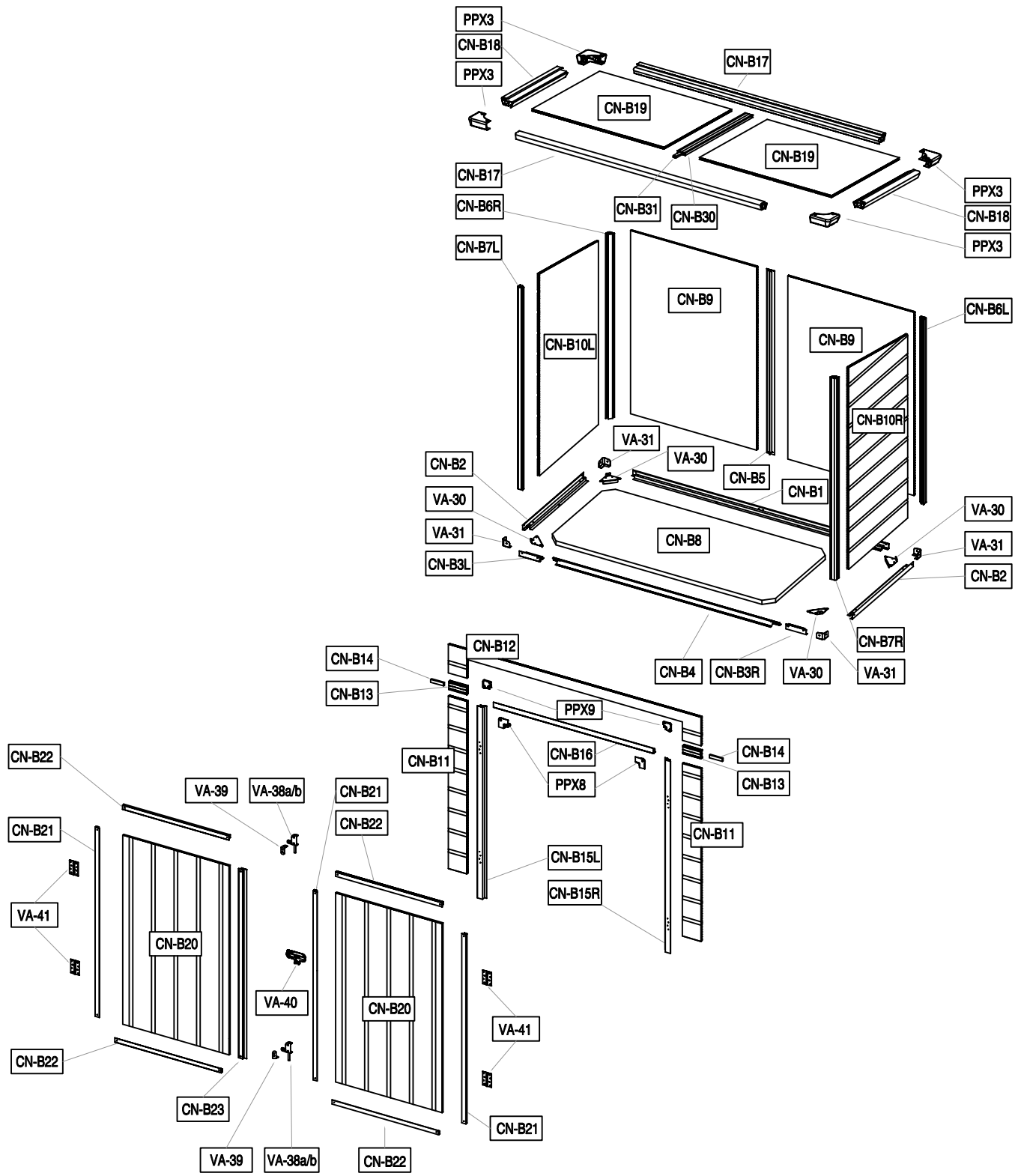
COLIN-A



Size of Colin-A:

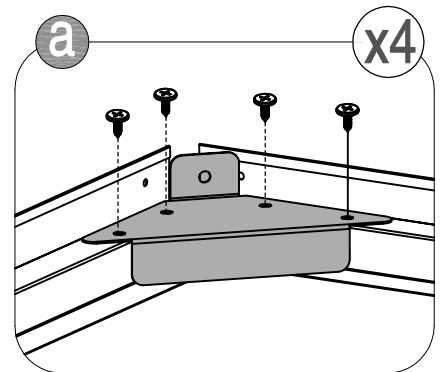
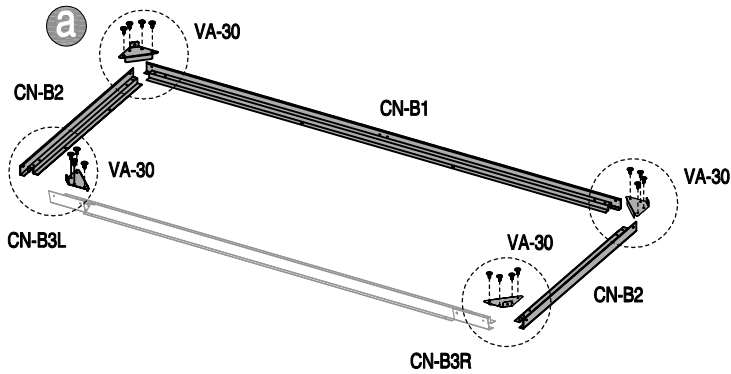
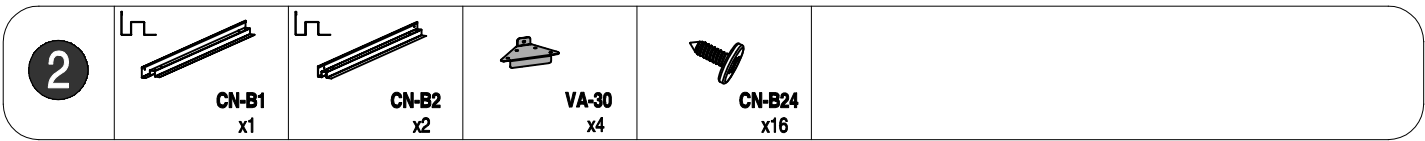
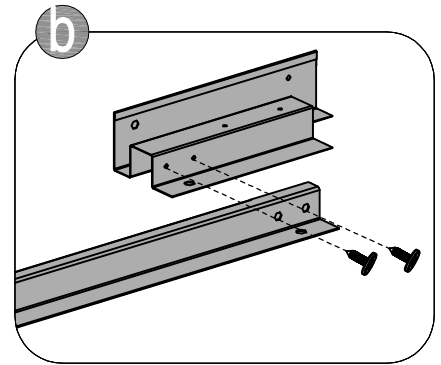
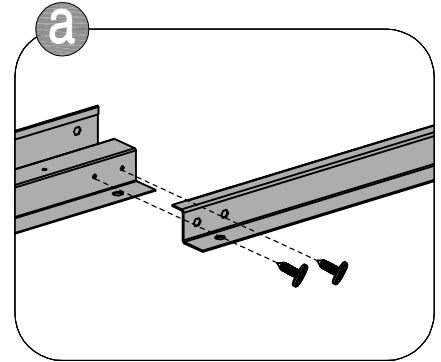
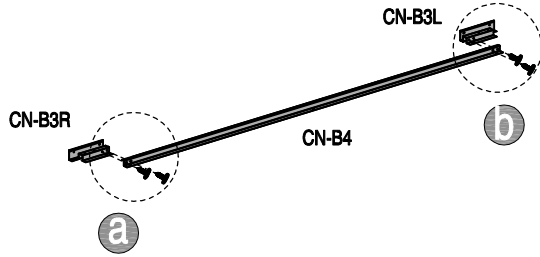
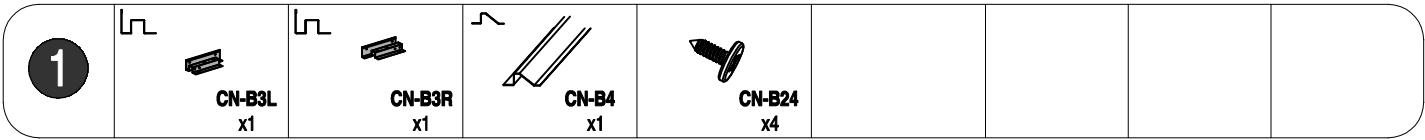


Coin-A

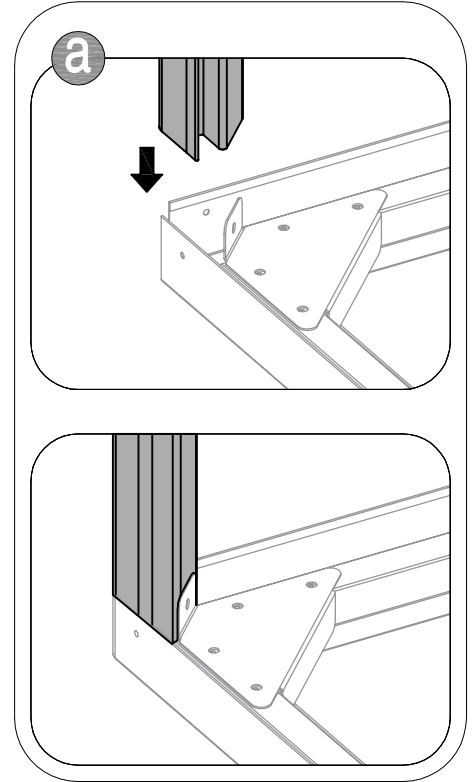
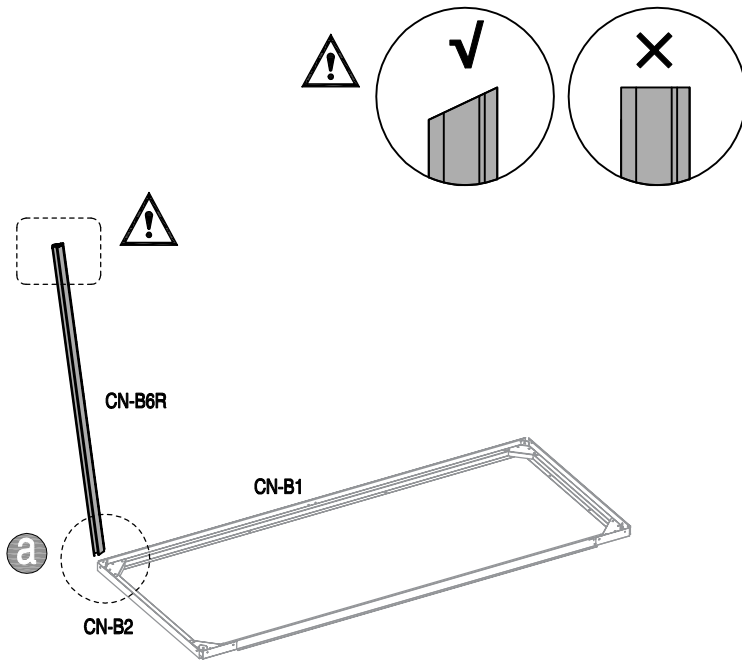



NO.	IMAGE	mm	QTY
	CN-B1	1850.5	x1
	CN-B2	763	x2
	CN-B3L	146.5	x1
	CN-B3R	146.5	x1
	CN-B4	1637	x1
	VA-30		x4
	VA-31		x4
	CN-B5	1330	x1
	CN-B6L	1337	x1
	CN-B6R	1337	x1
	CN-B7L	1460	x1
	CN-B7R	1460	x1
	CN-B8	709x1797	x1
	CN-B9	913x1326	x2
	CN-B10L	740x1460	x1
	CN-B10R	740x1460	x1
	CN-B11	135x1248	x2
	CN-B12	1828x190	x1
	CN-B13	130	x2
	CN-B14	130	x2
	CN-B15L	1389	x1
	CN-B15R	1389	x1
	CN-B16	1552	x1
	PPX8		x2
	PPX9		x2
	CN-B17	1773.5	x2
	CN-B18	700	x2
	CN-B19	860x955	x2
	CN-B30	860	x1
	CN-B31	860	x1
	PPX3		x4

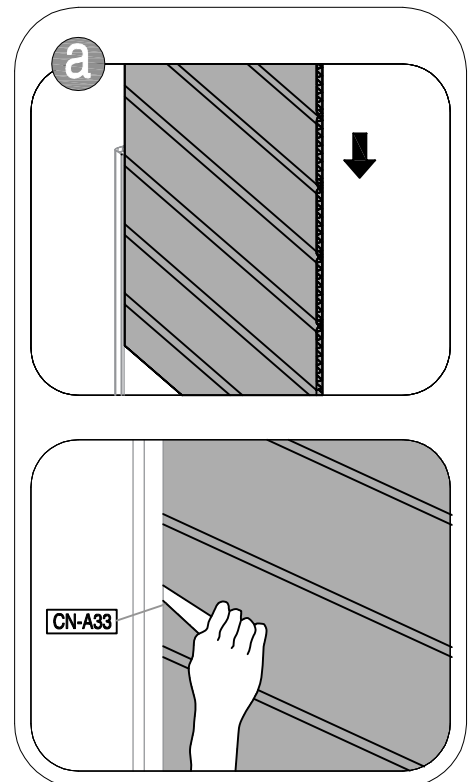
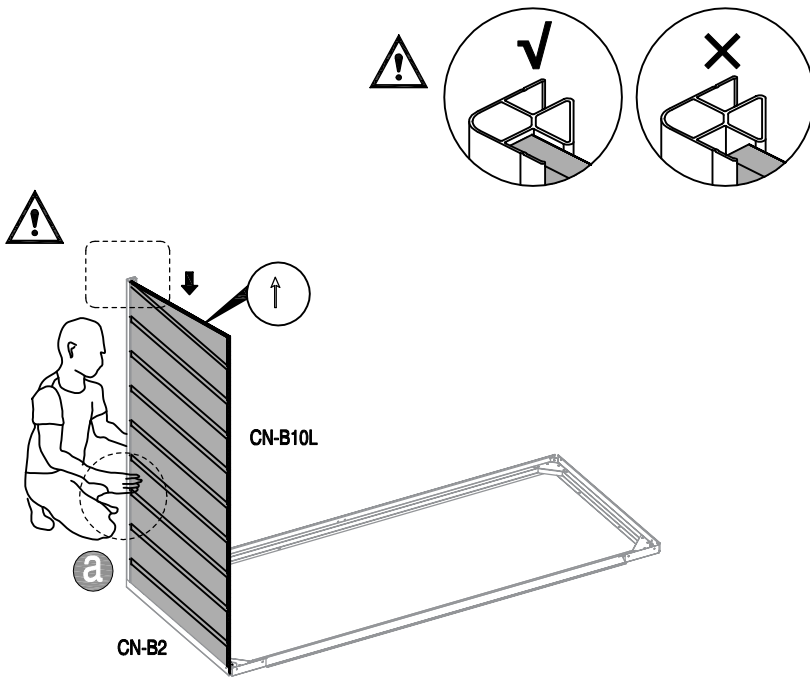
NO.	IMAGE	mm	QTY
	CN-B20	1368x770	x2
	CN-B21	1368	x3
	CN-B22	771	x4
	CN-B23	1368	x1
	VA-41		x4
	VA-38a		x2
	VA-38b		x2
	VA-39		x2
	VA-40		x1
	VA-53		x1
	PA01		x3
	CN-B24	ST4.2x13	x119
	CN-B25	ST4.2x19	x75
	CN-B26	ST4.2x13	x6
	CN-B27	ST4.2x19	x4
	CN-B28	ST6.0x40	x10
	CN-B29	ST4.2x10	x8
	CN-A33		x2



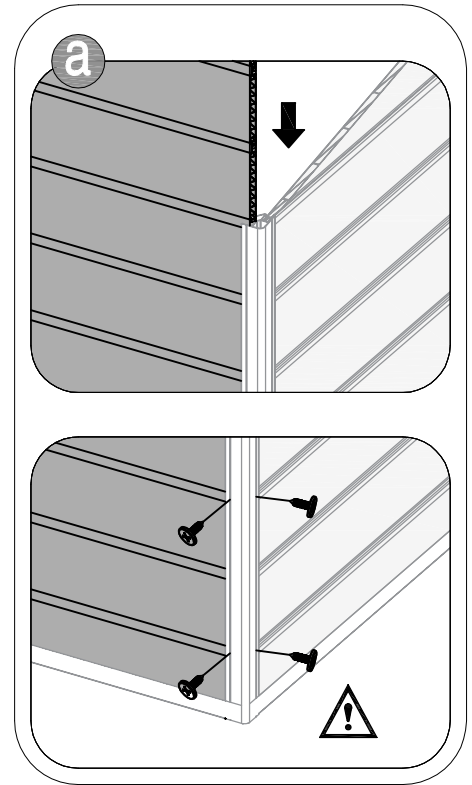
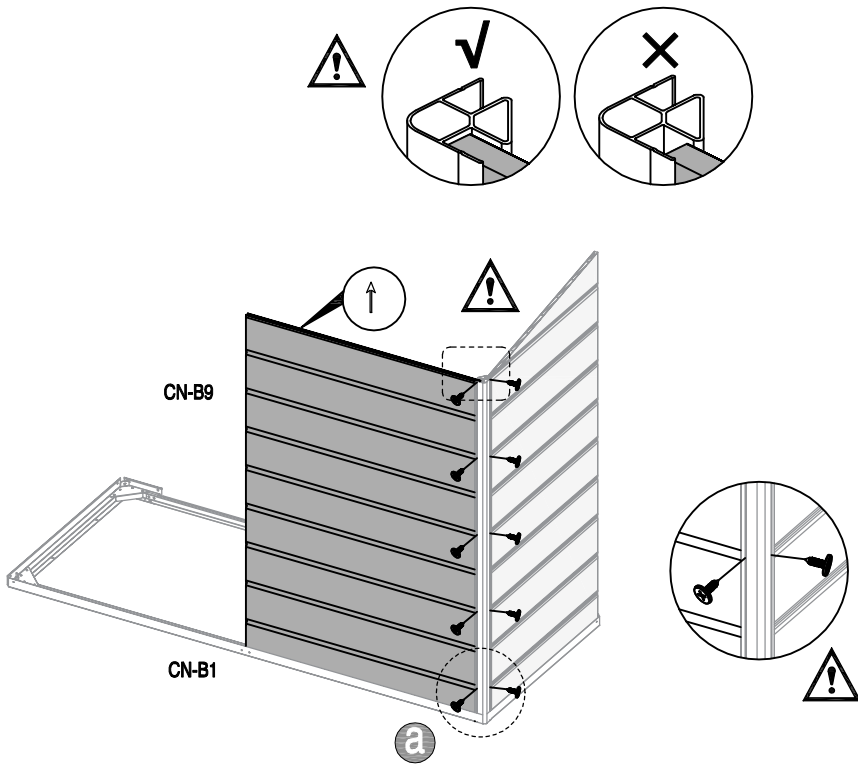
3	 CN-B6R x1	
----------	--	--




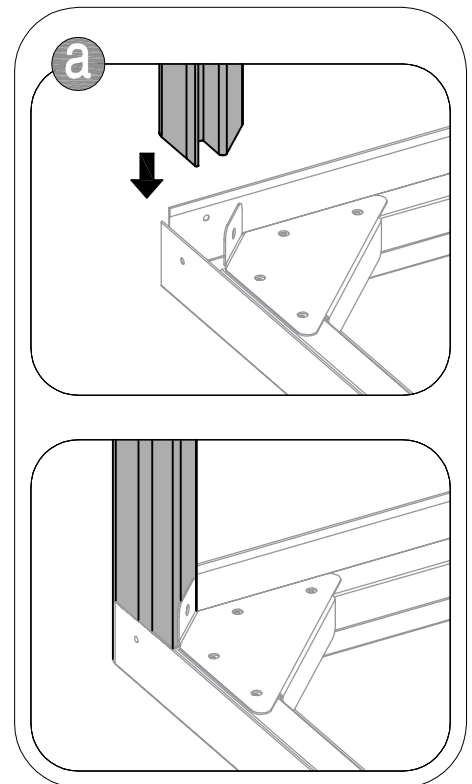
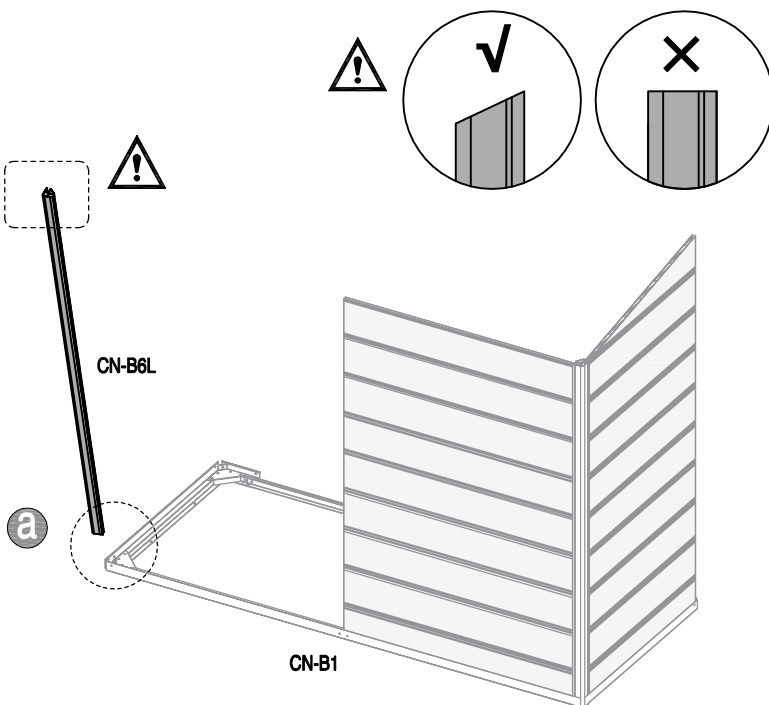
4	 CN-B10L x1	 CN-A33	
----------	---	--	--



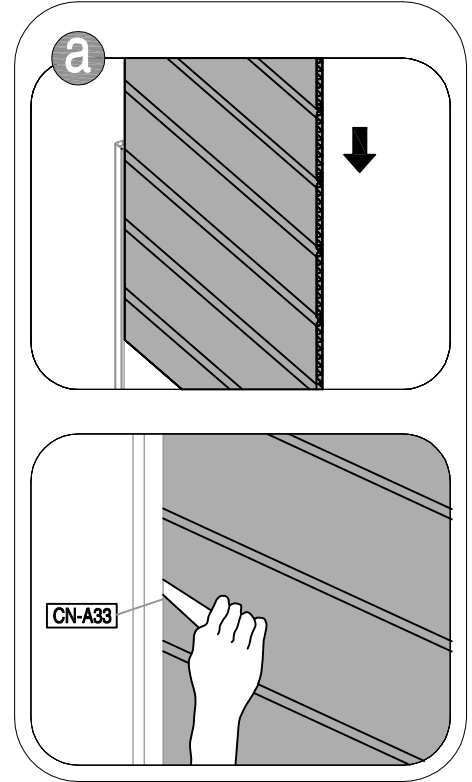
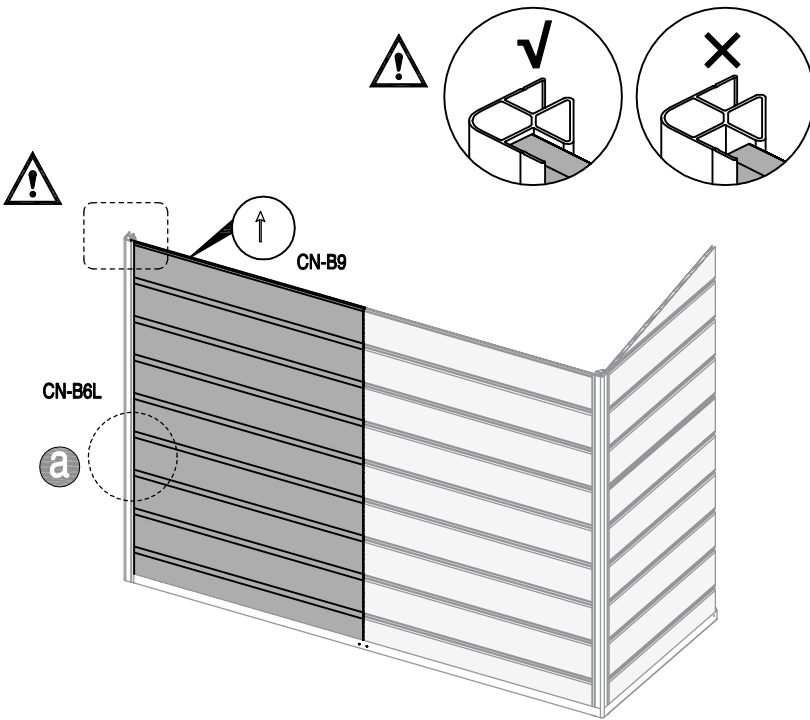
5	 CN-B9 x1	 CN-B25 x10	 CN-A33
----------	---	---	--





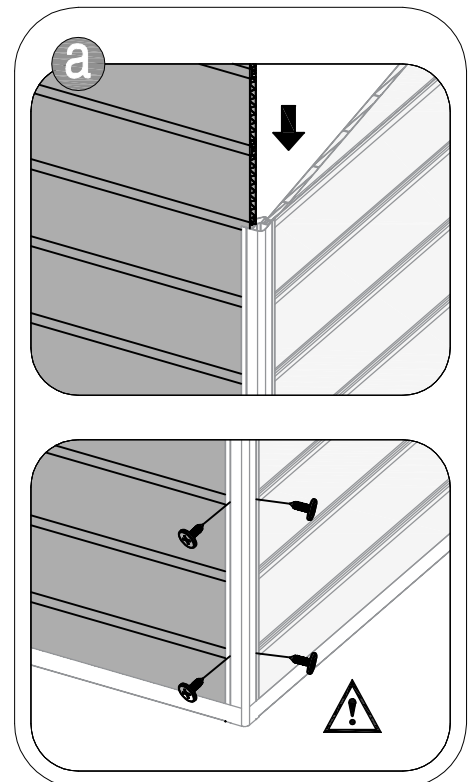
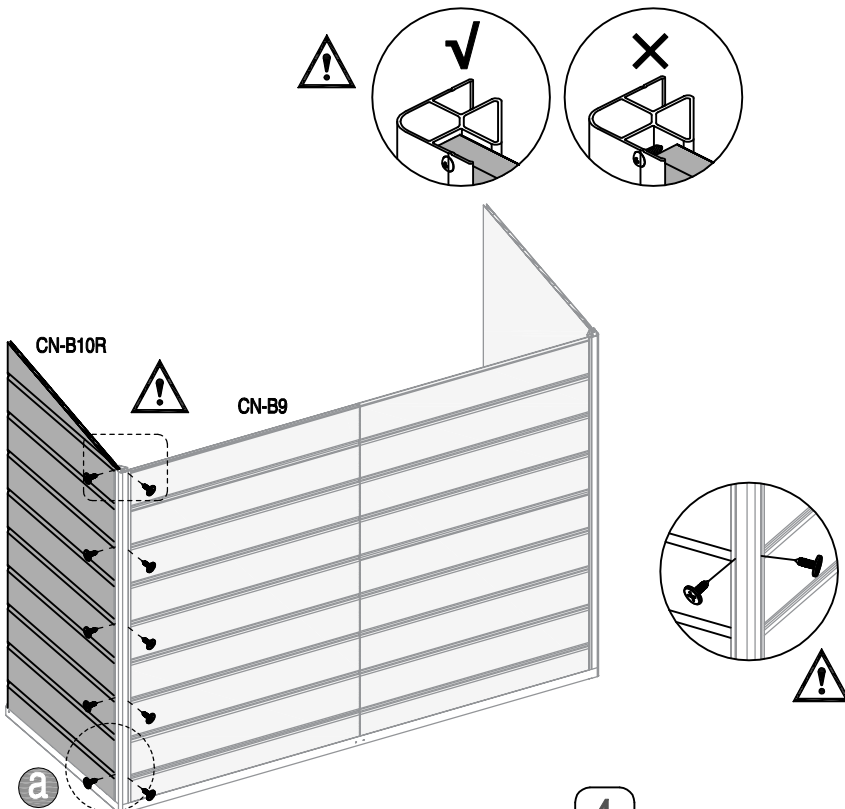
6	 CN-B6L x1
----------	--



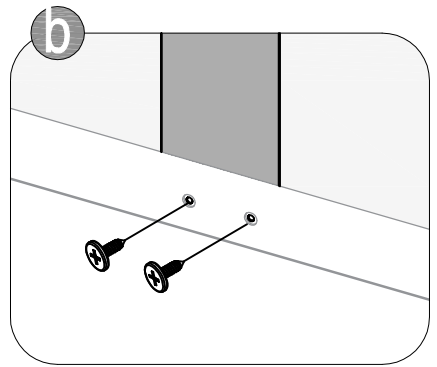
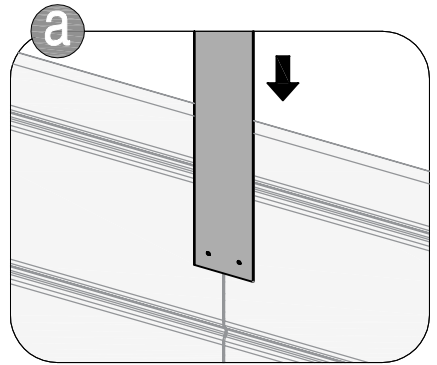
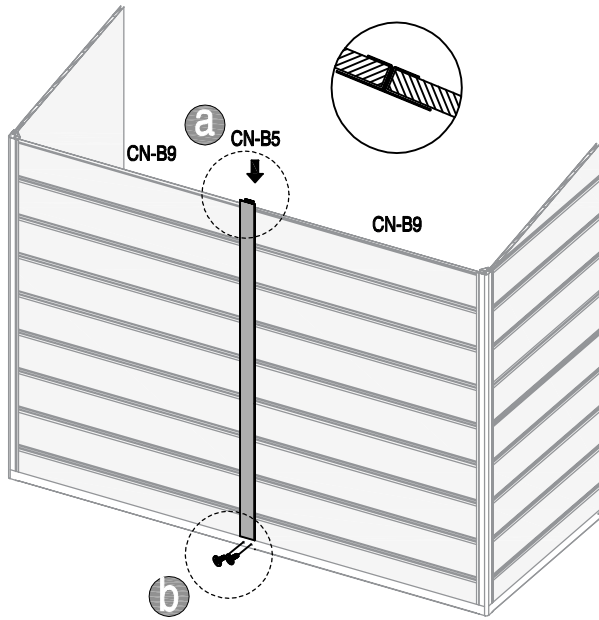
7	 CN-B9 x1	 CN-A33
----------	---	--





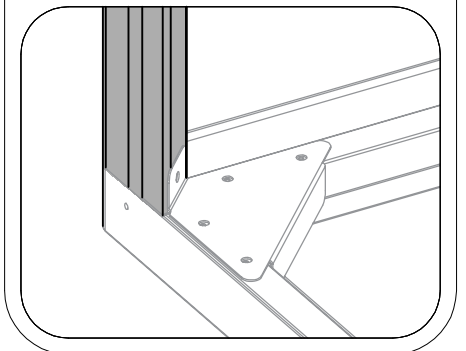
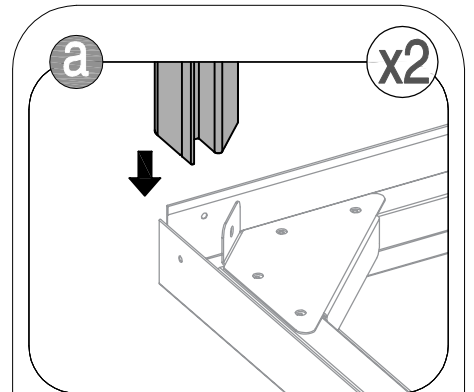
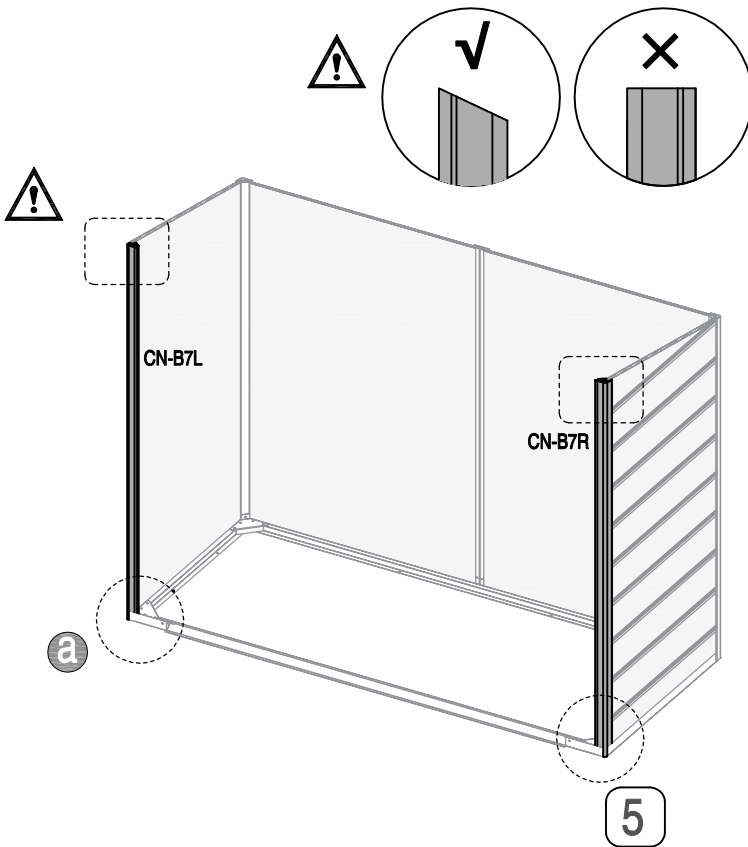
8	 CN-B10R x1	 CN-B25 x10
----------	---	---



9	 CN-B5 x1	 CN-B24 x2
----------	--	---



10	 CN-B7L x1	 CN-B7R x1
-----------	---	---



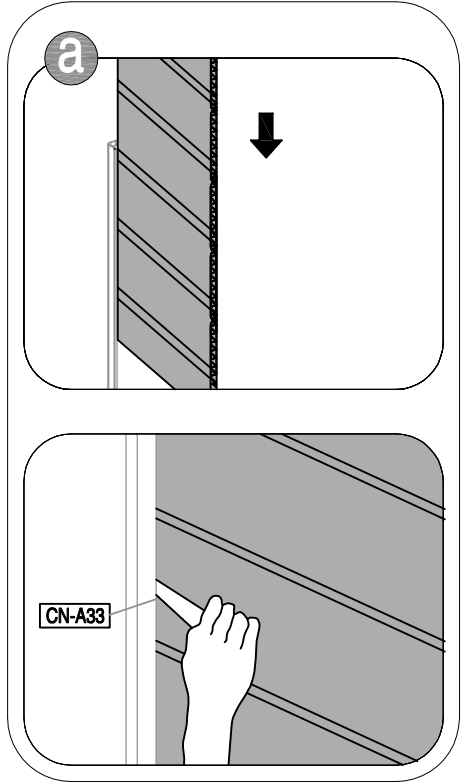
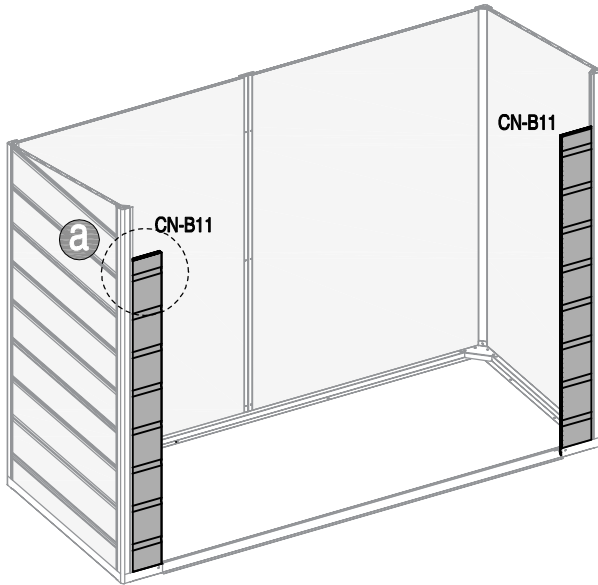
11



CN-B11
x2



CN-A33



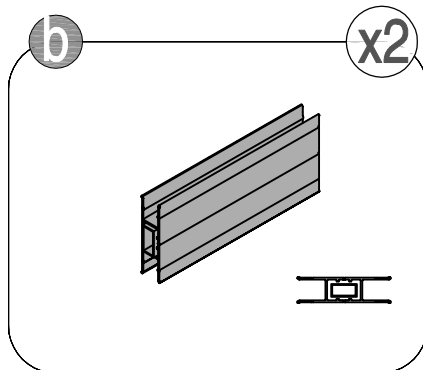
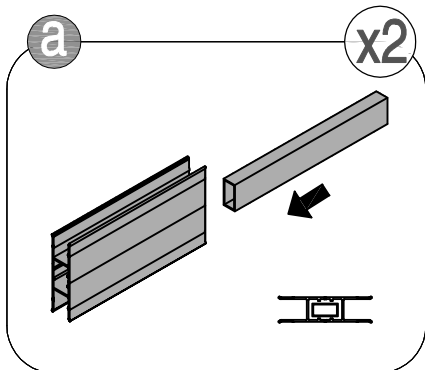
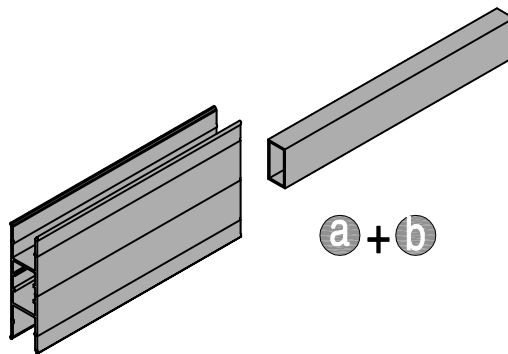
12



CN-B13
x2



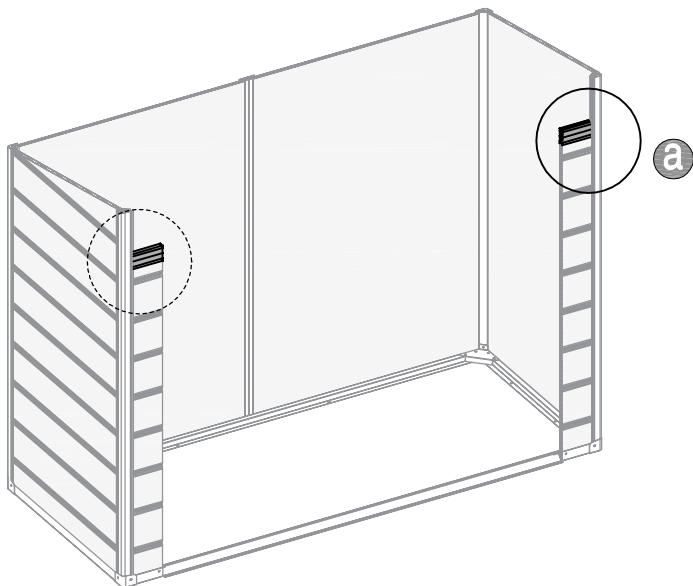
CN-B14
x2



13

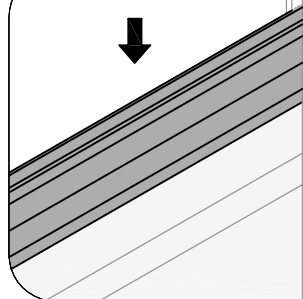


CN-A33

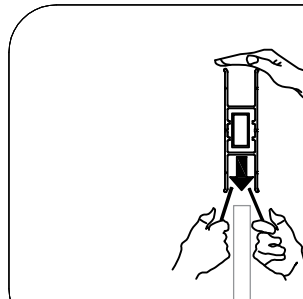


a

x2



x2



14



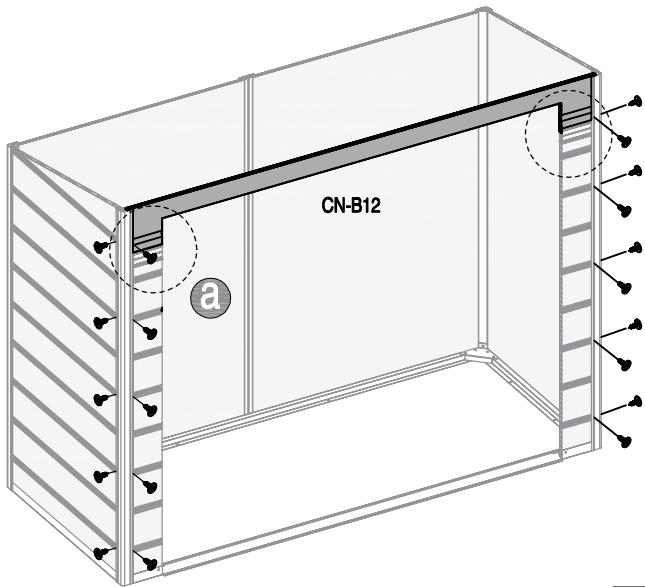
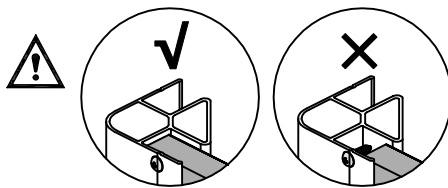
CN-B12
x1



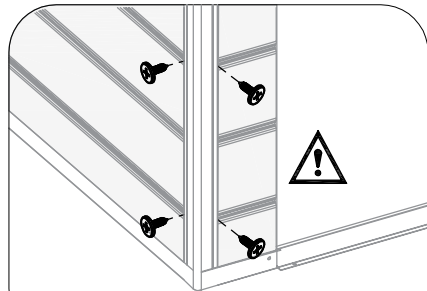
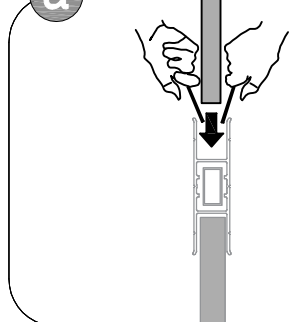
CN-B25
x20



CN-A33



a



7

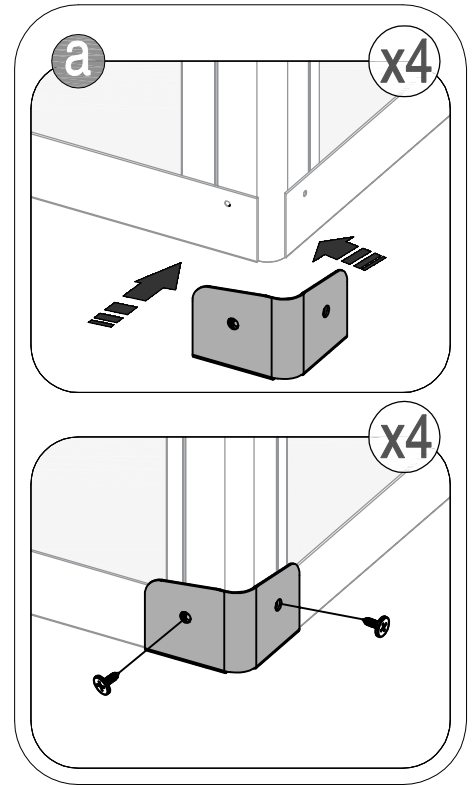
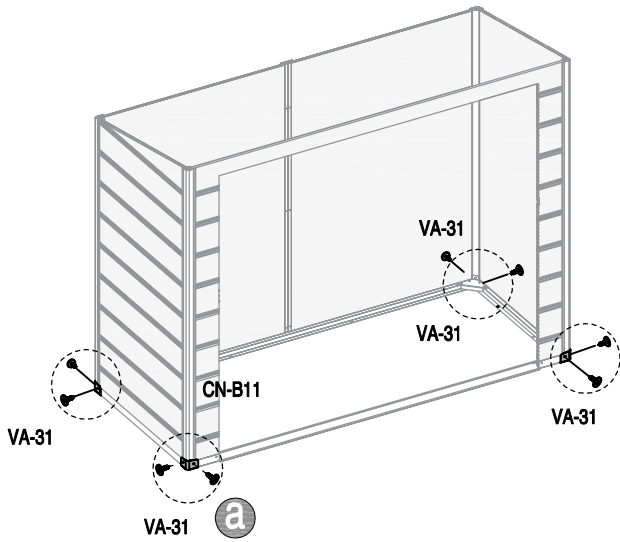
15



VA-31
x4



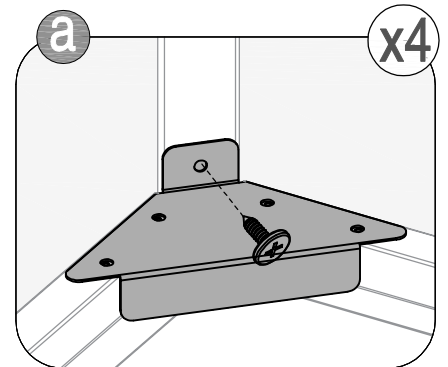
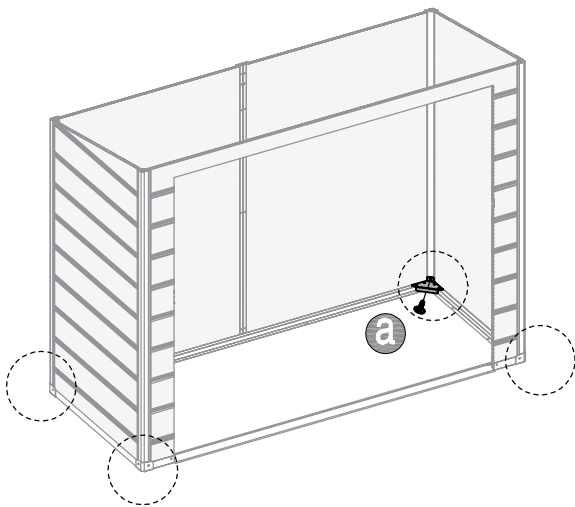
CN-B24
x8



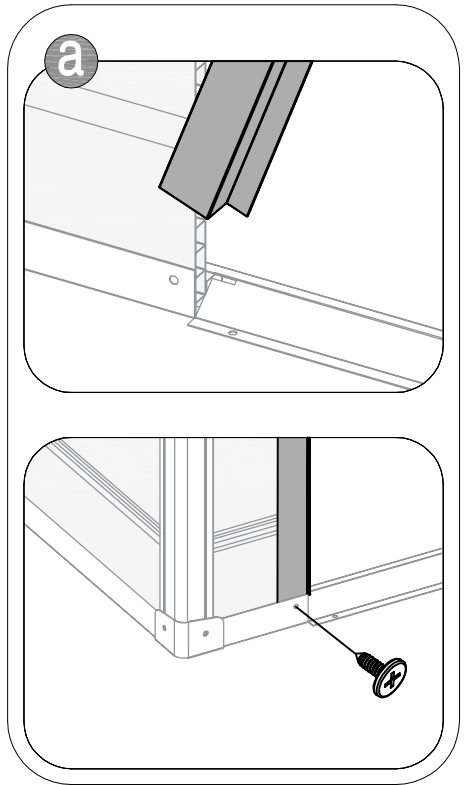
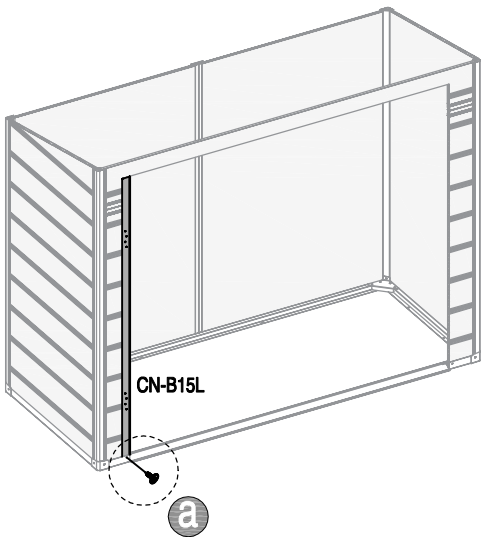
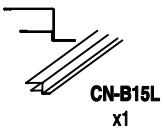
16



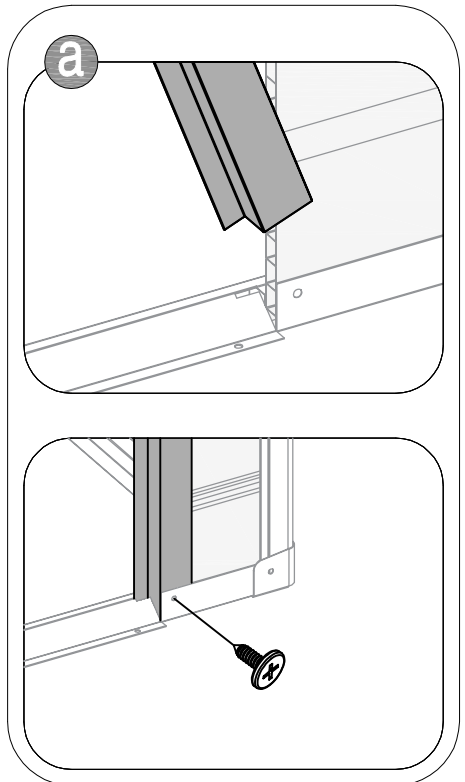
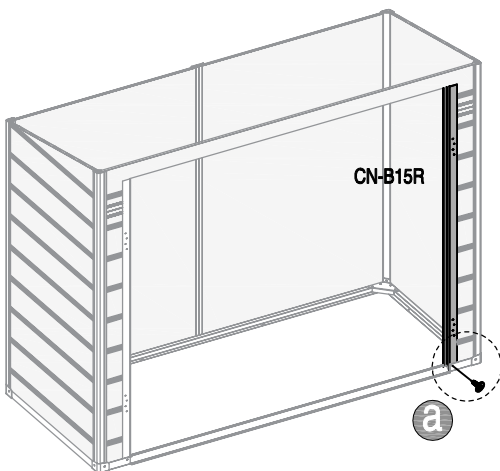
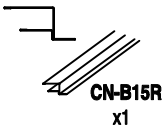
CN-B24
x4



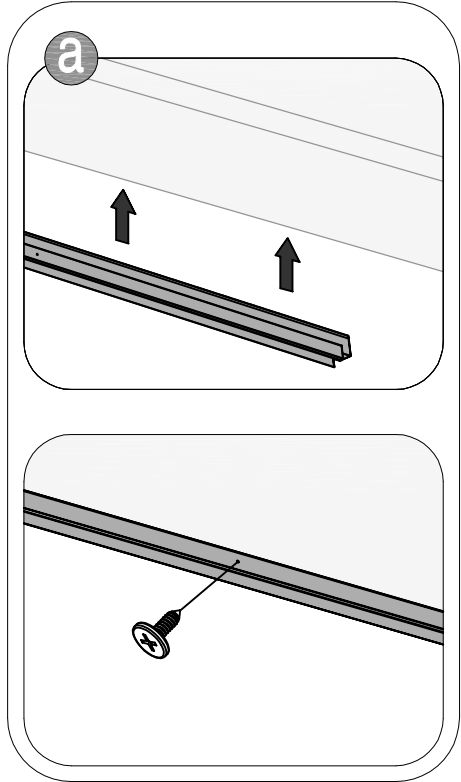
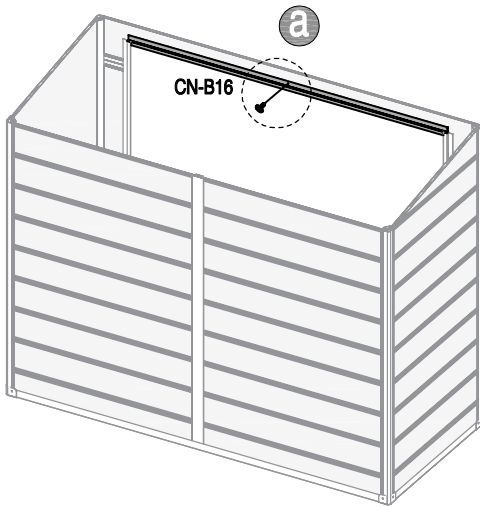
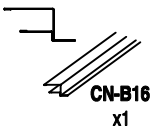
17



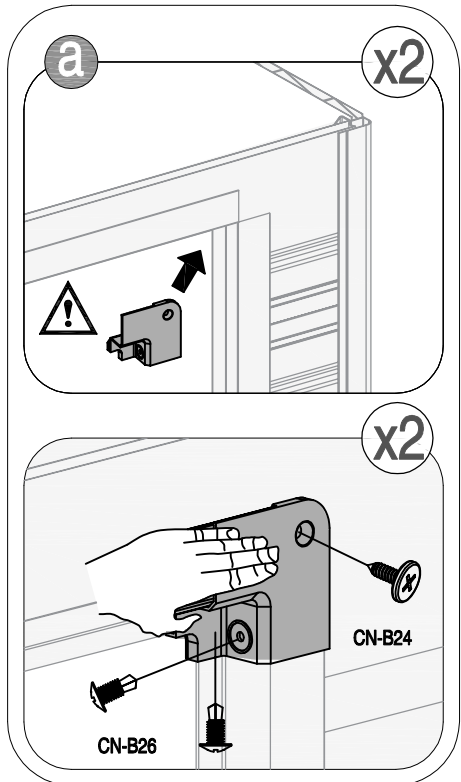
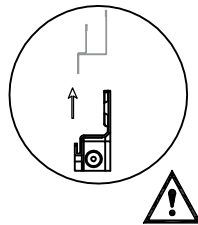
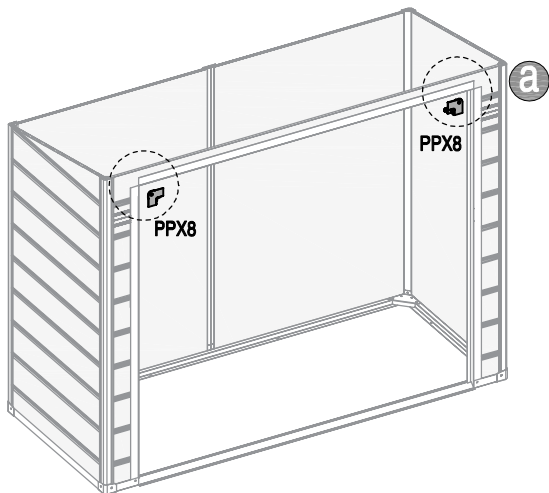
18



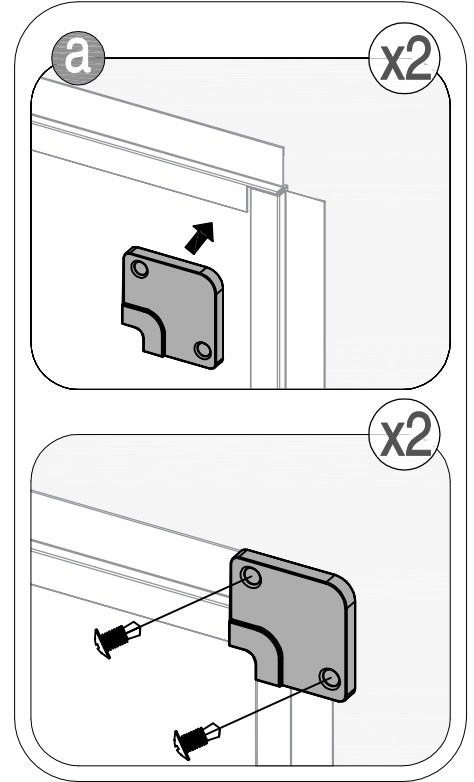
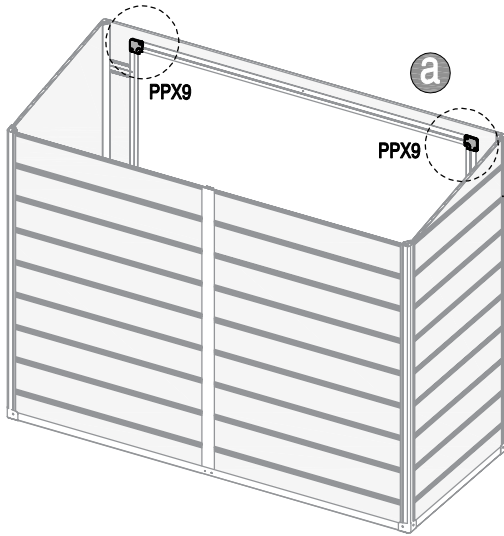
19



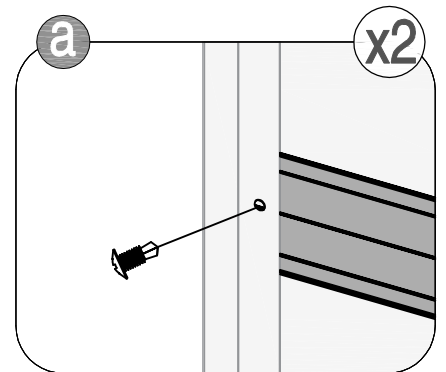
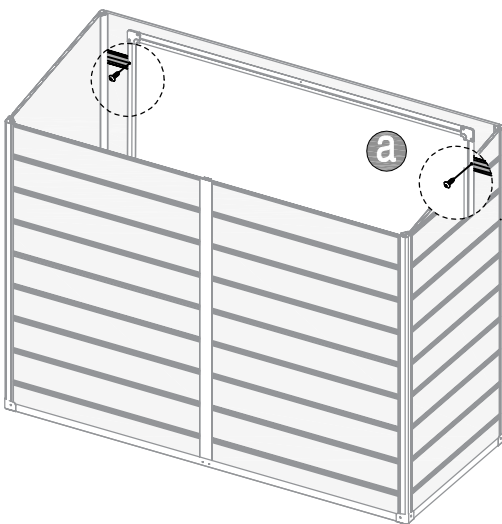
20



21



22



23



CN-B19
x2



CN-B30
x1



CN-B31
x1



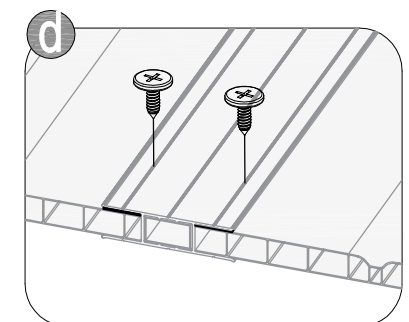
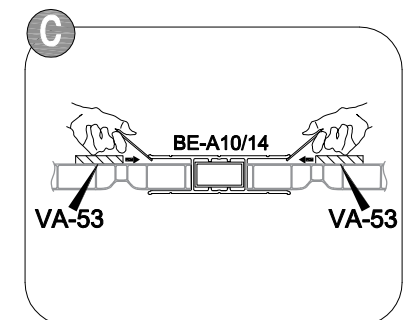
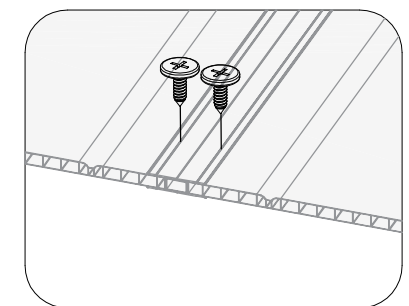
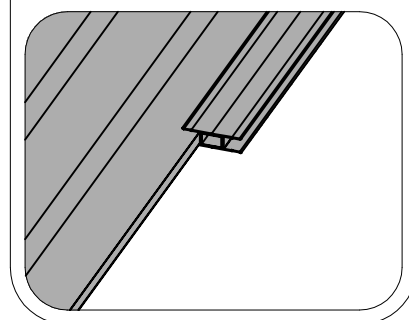
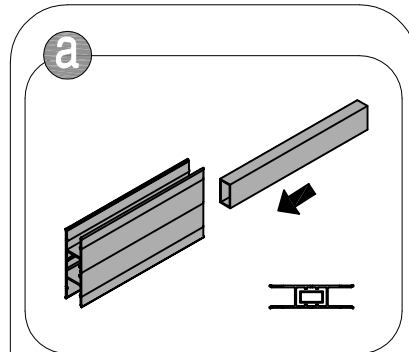
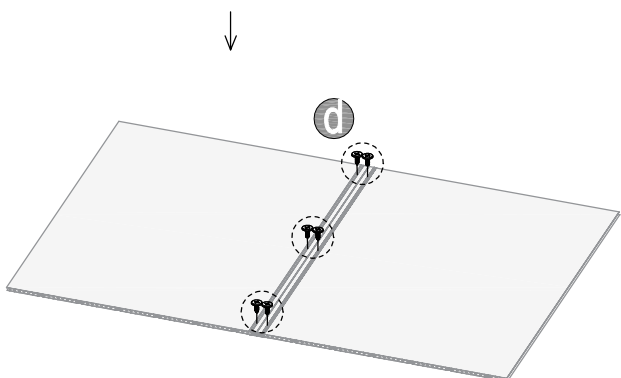
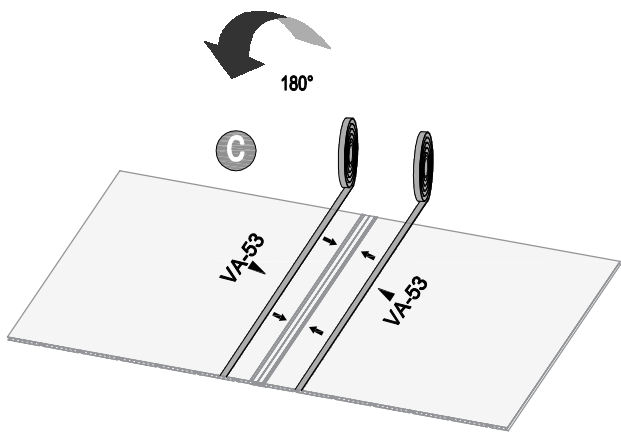
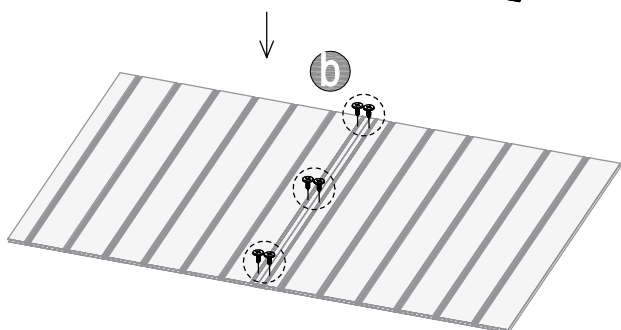
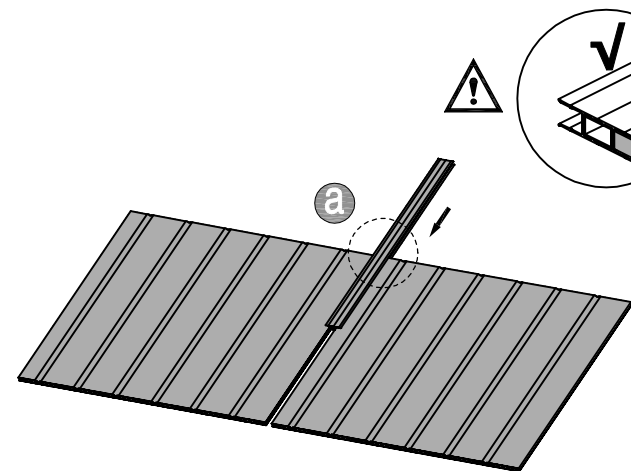
VA-53
x1



CN-B24
x12



CN-A33



24



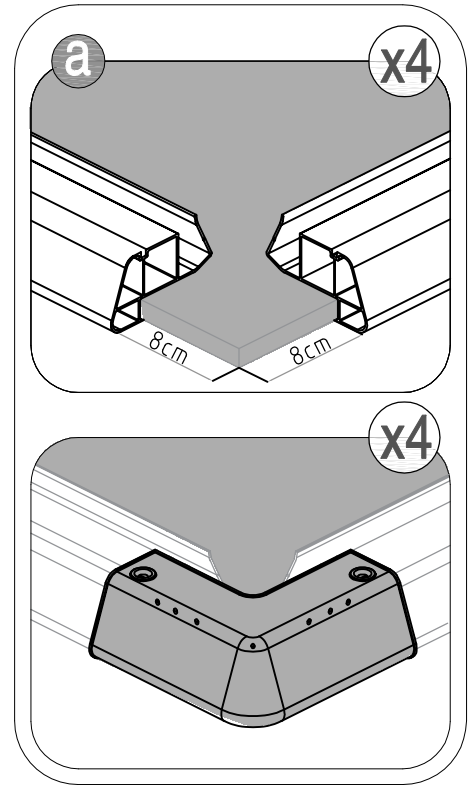
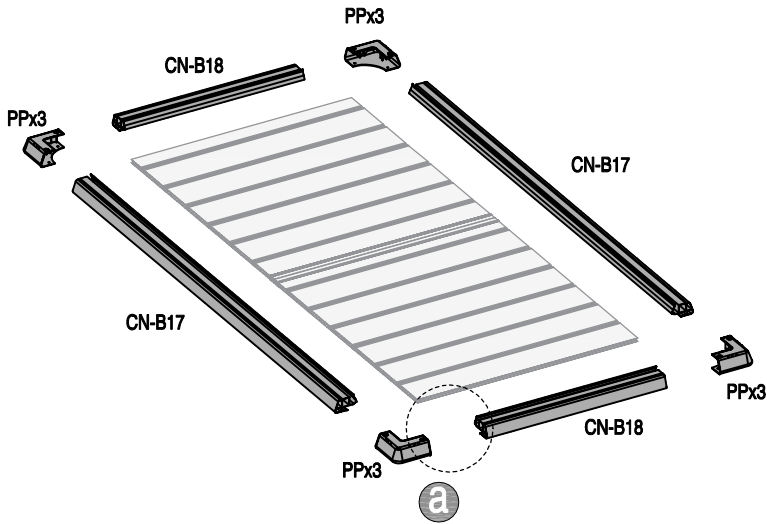
CN-B17
x2



CN-B18
x2



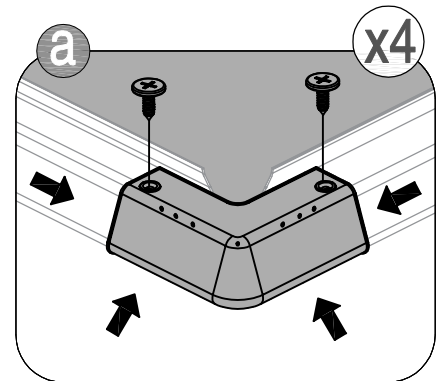
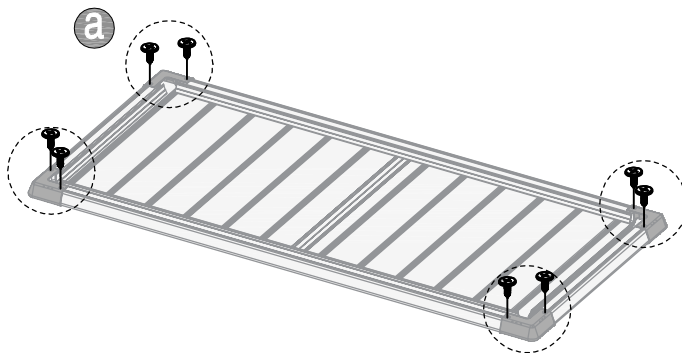
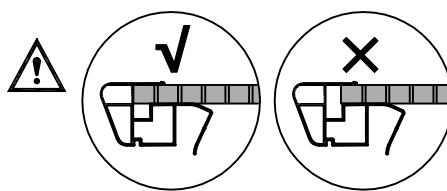
PPx3
x4



25



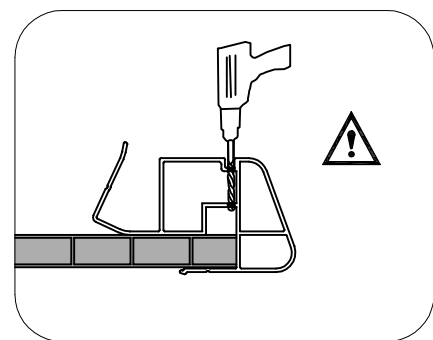
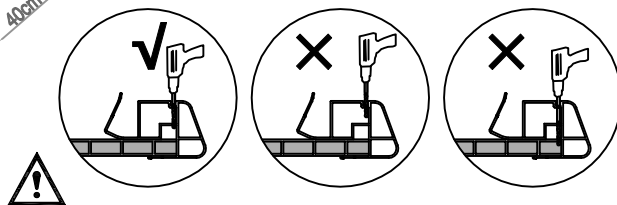
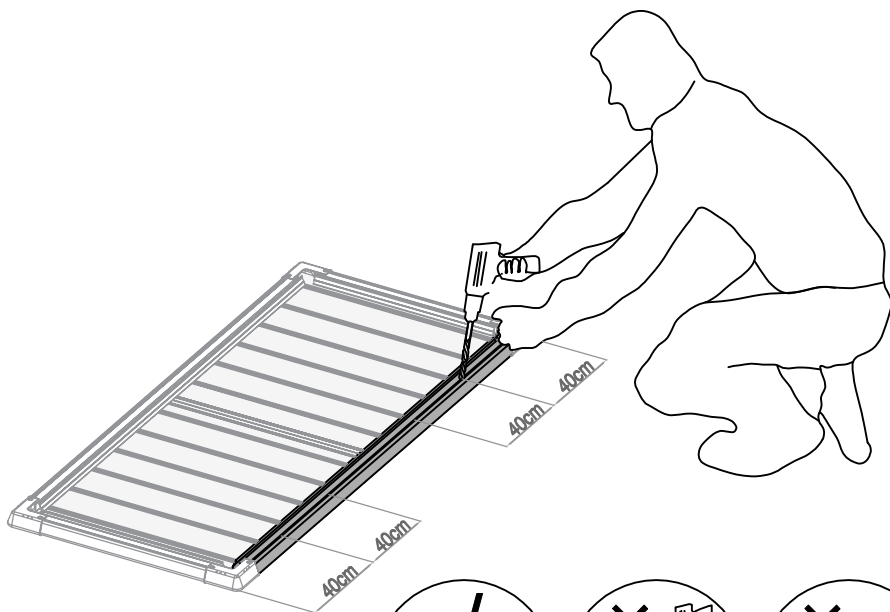
CN-B24
x8



28



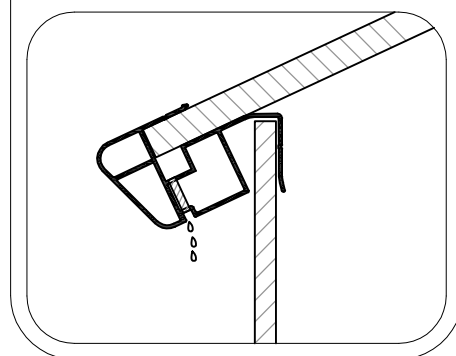
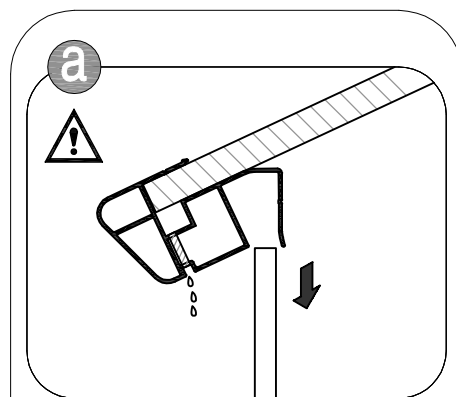
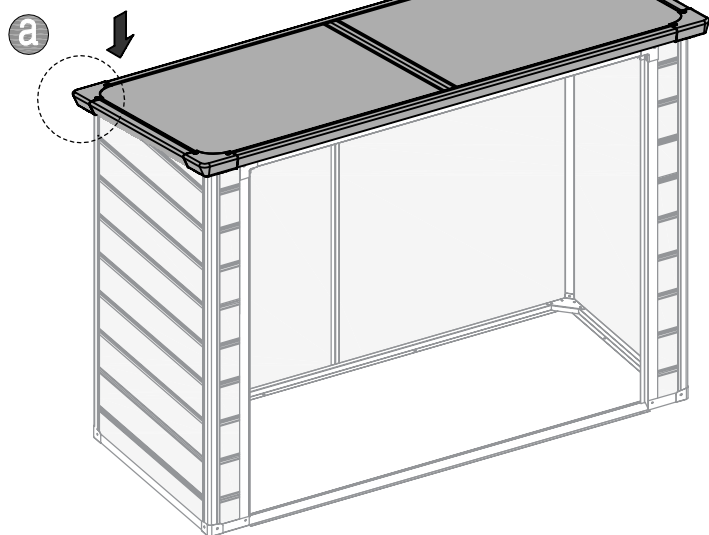
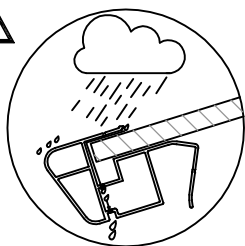
Ø8mm



29



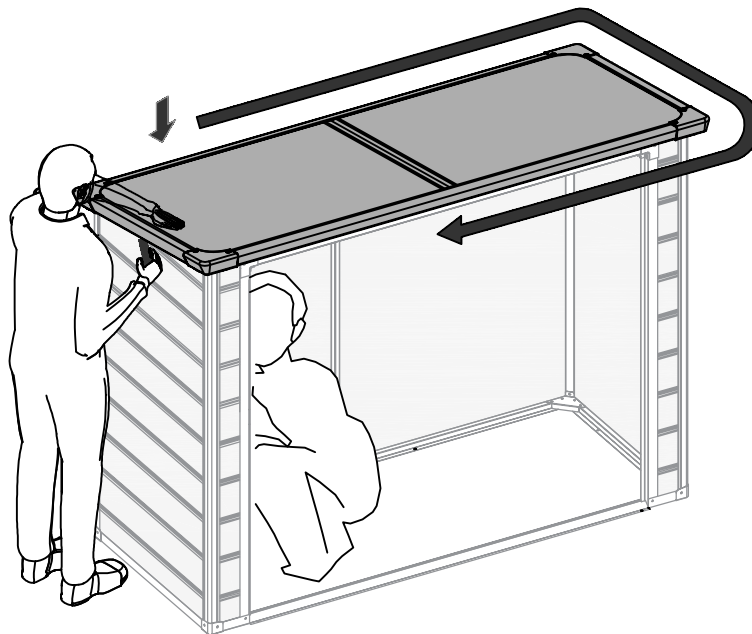
CN-A33



30



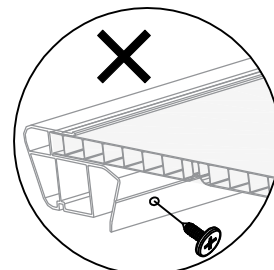
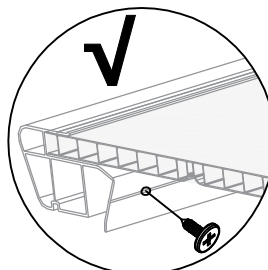
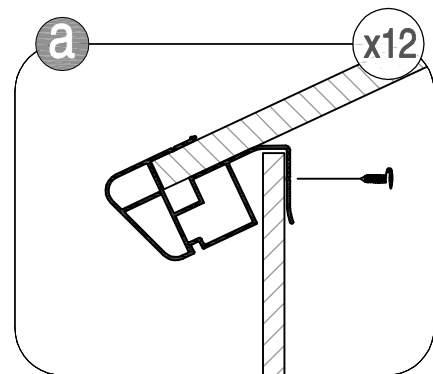
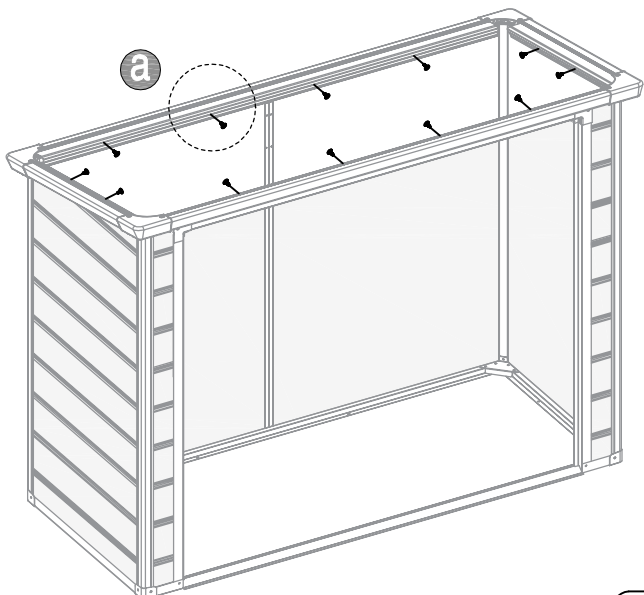
CN-A33



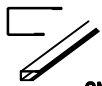
31



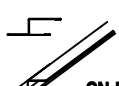
CN-B25
x12



32



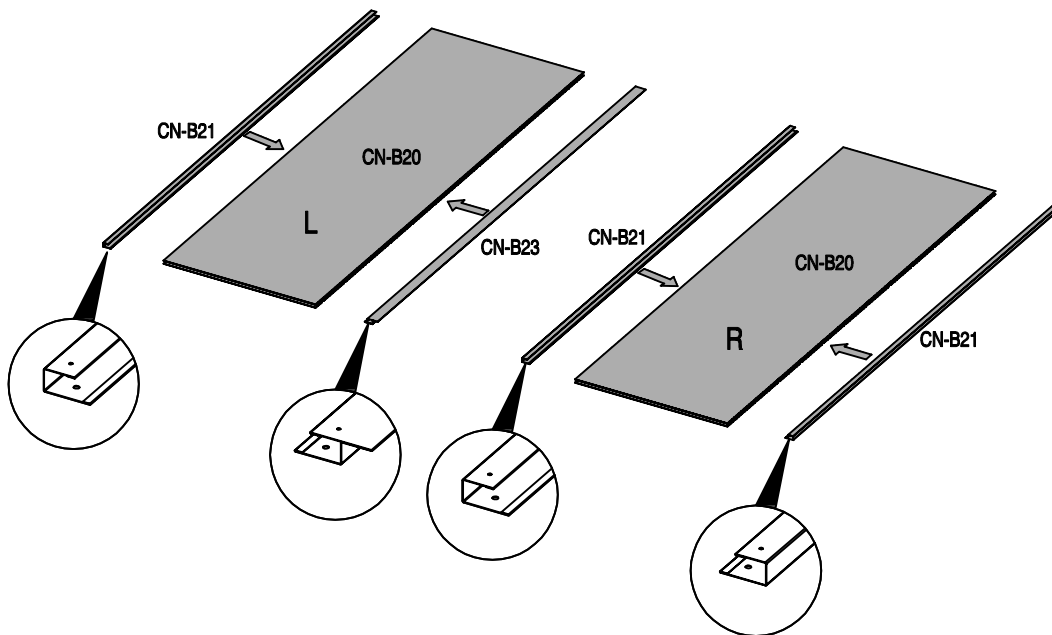
CN-B21
x3



CN-B23
x1



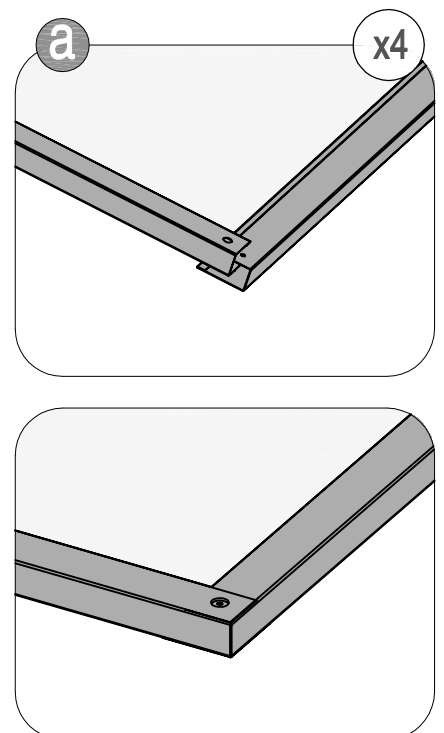
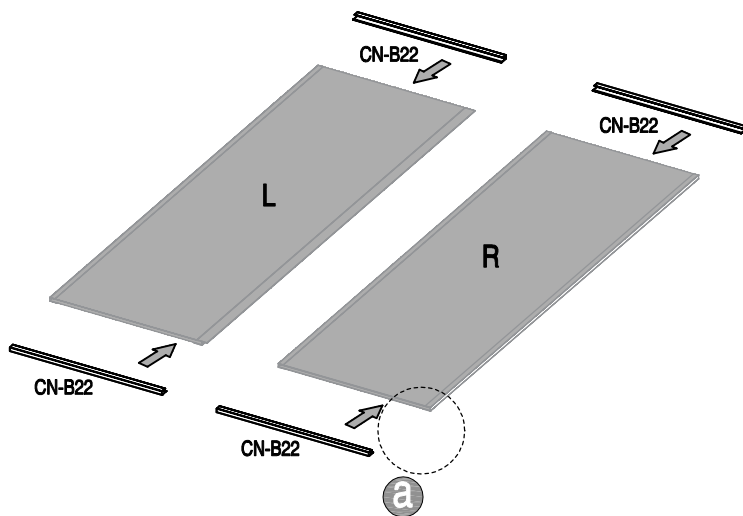
CN-B20
x2



33



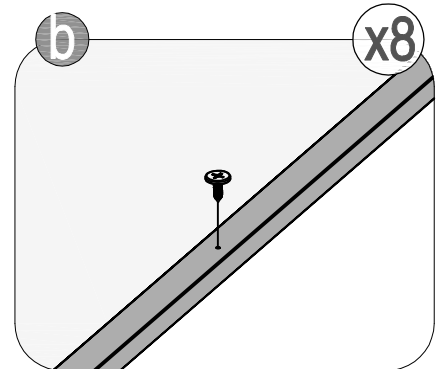
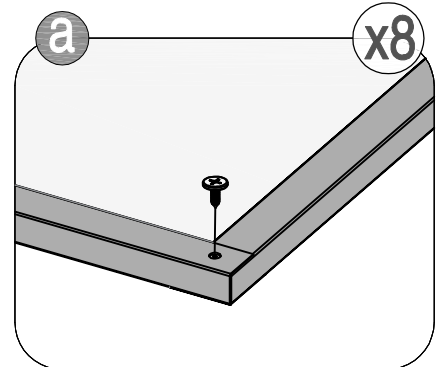
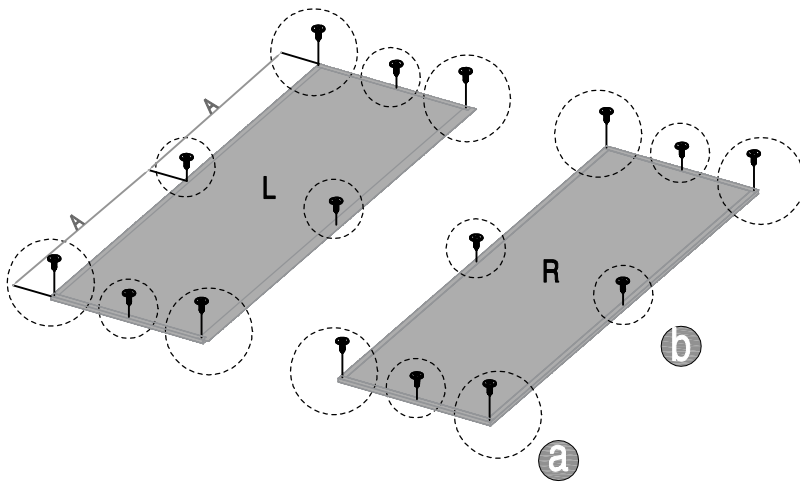
CN-B22
x4



34



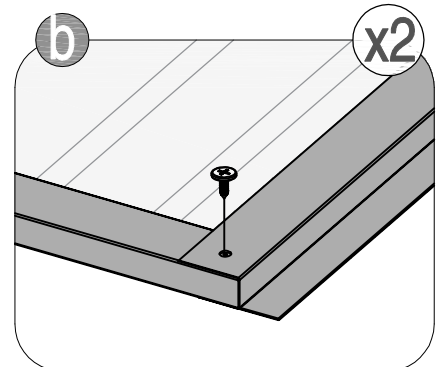
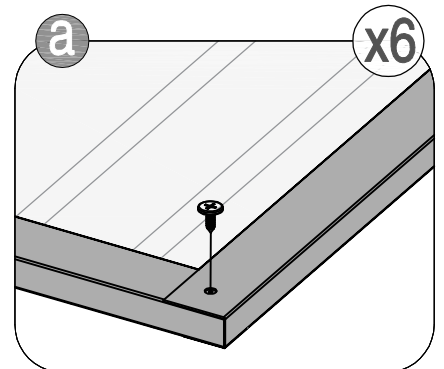
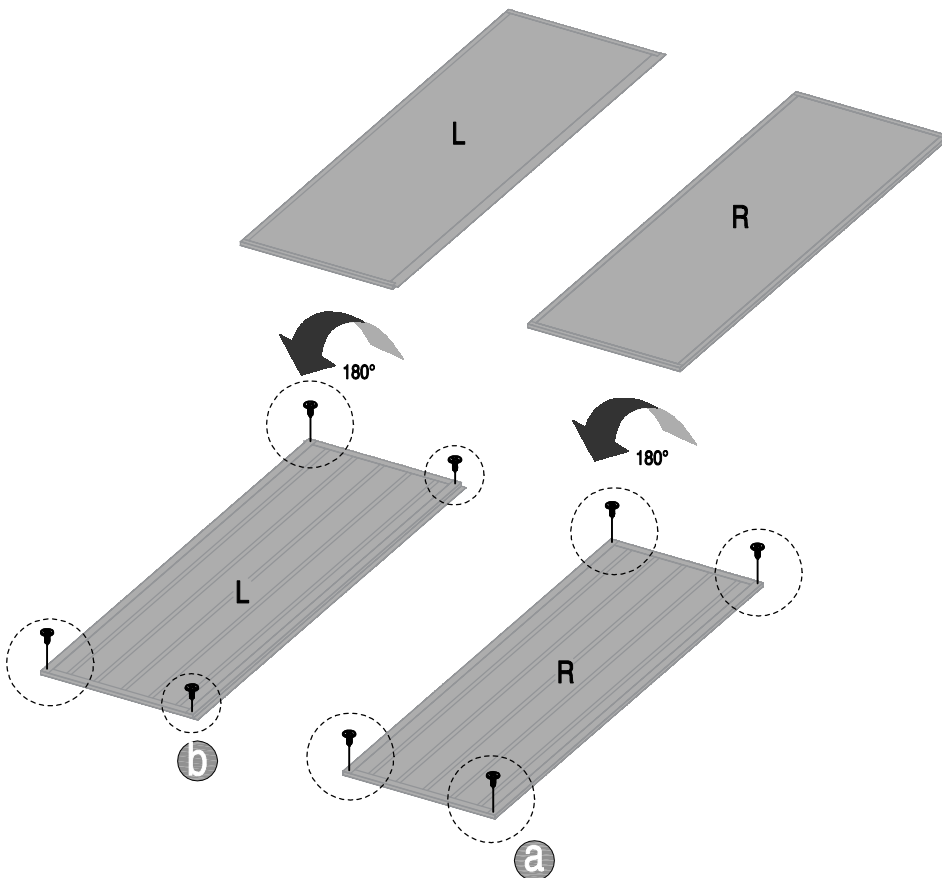
CN-B24
x16



35



CN-B24
x8



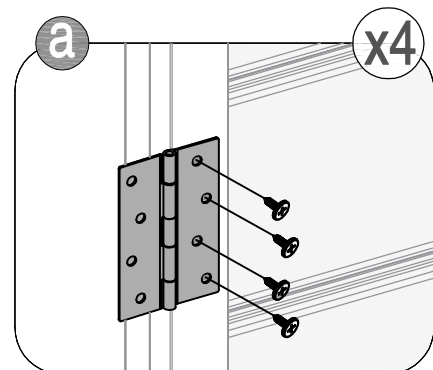
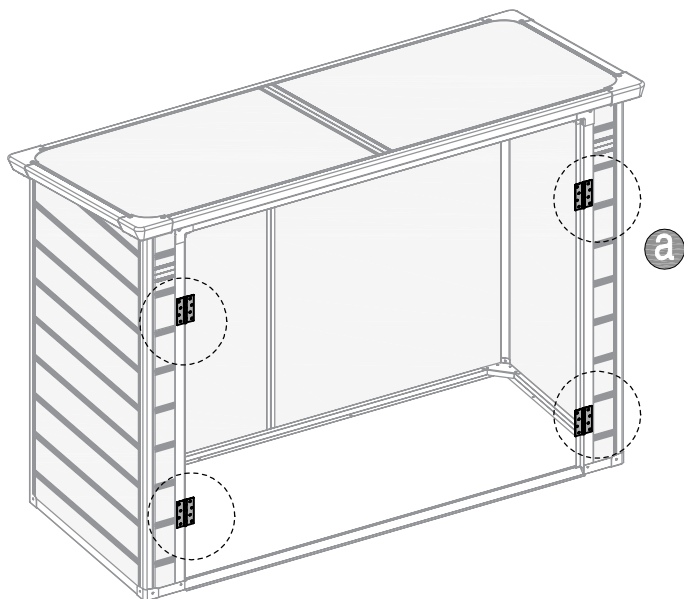
36



VA-41
x4



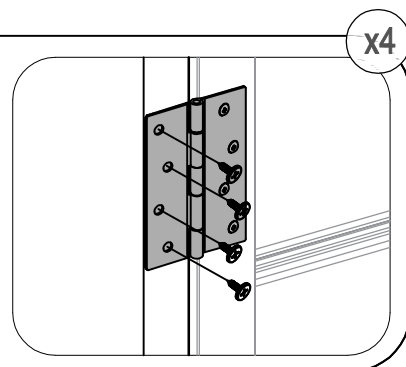
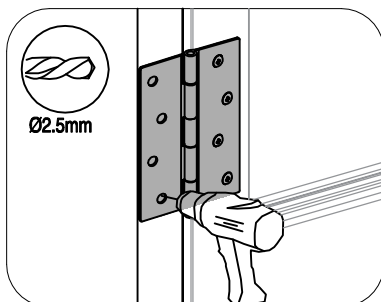
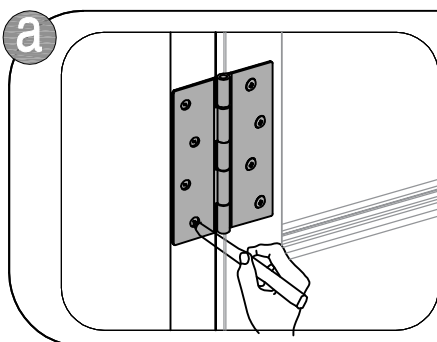
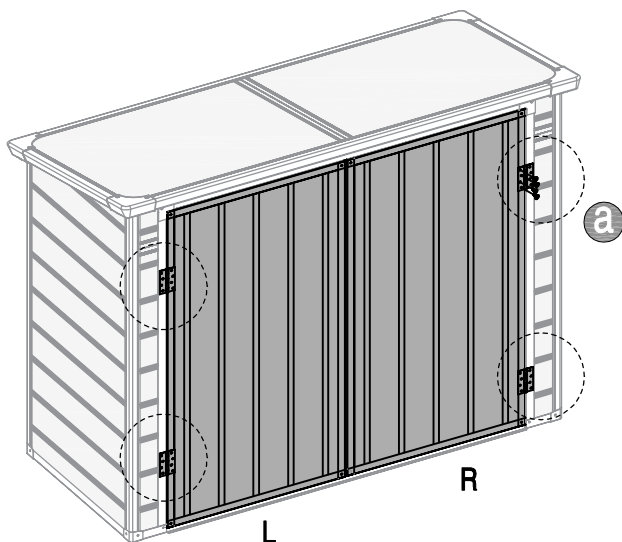
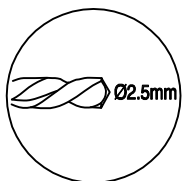
CN-B24
x16



37



CN-B24
x16



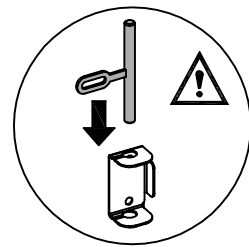
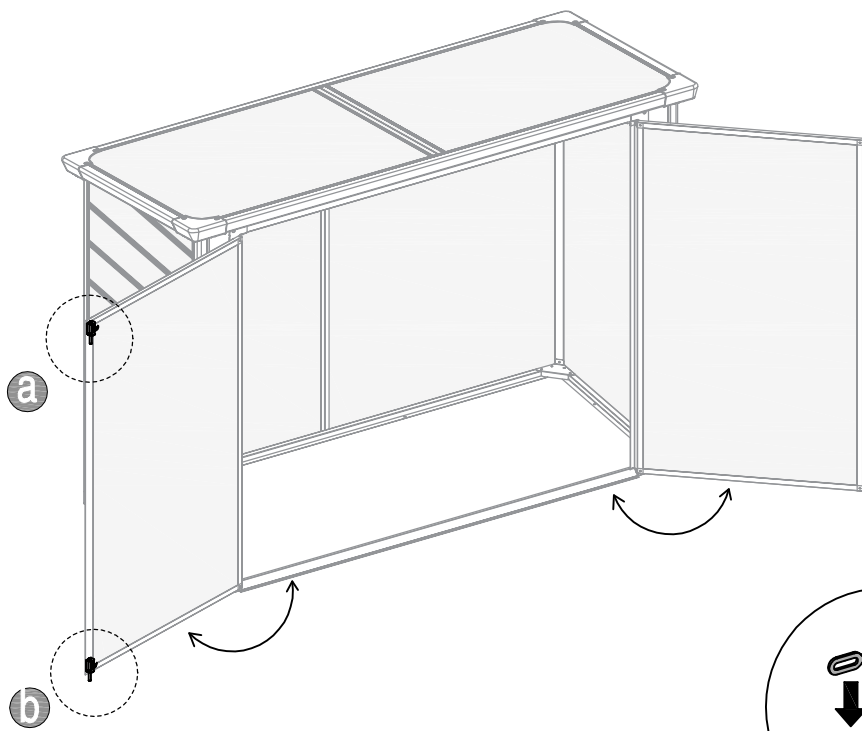
38



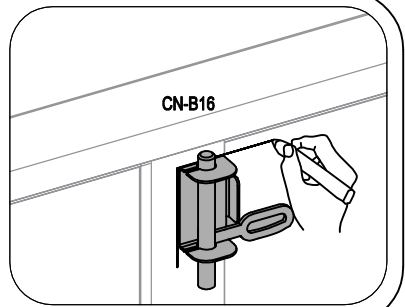
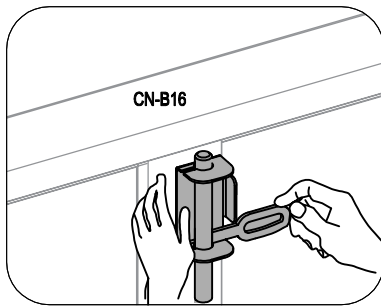
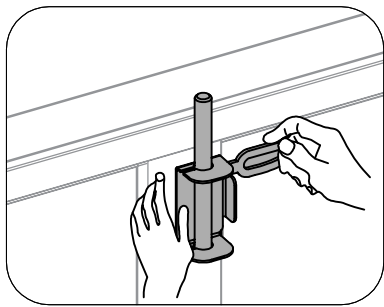
VA-38a
x2



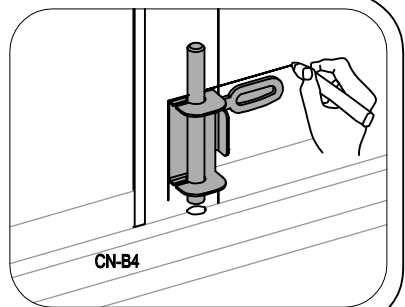
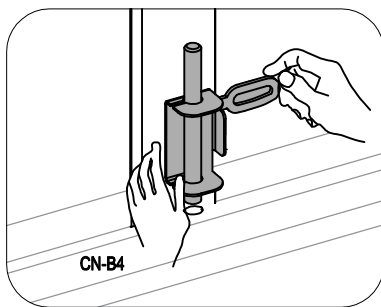
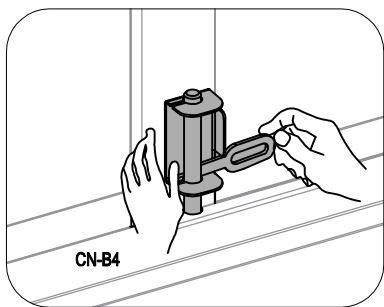
VA-38b
x2



a



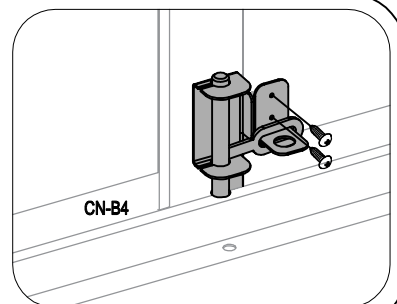
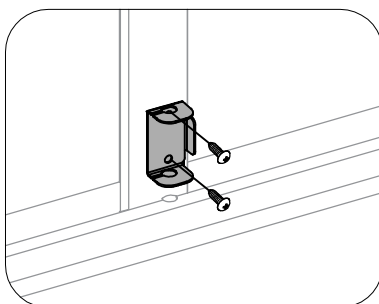
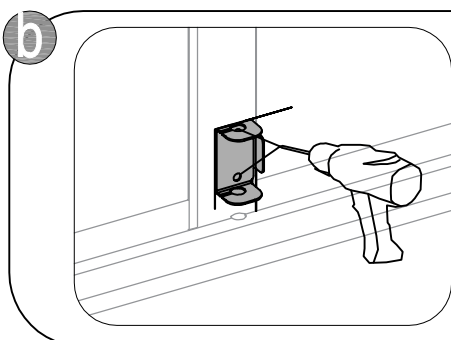
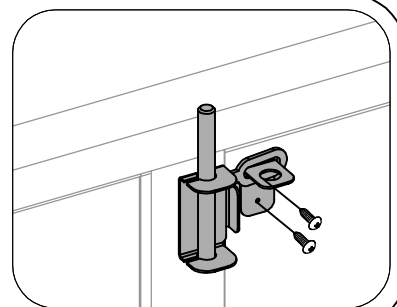
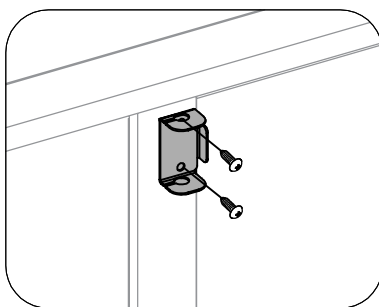
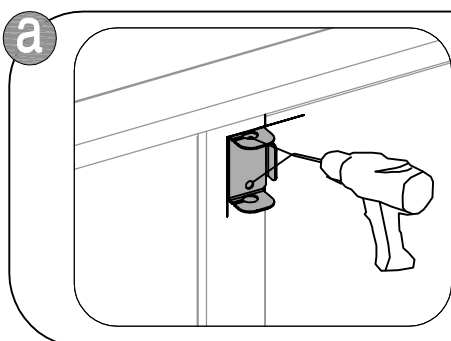
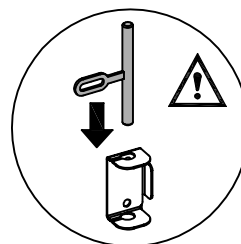
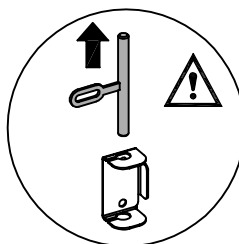
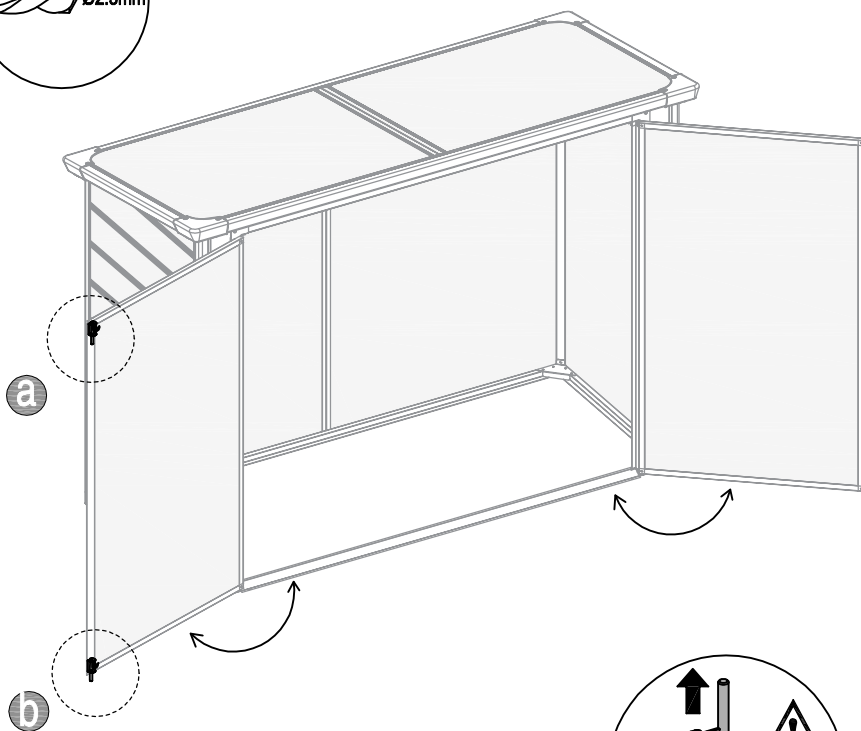
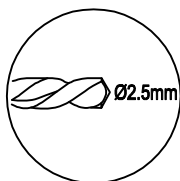
b



39

CN-B29
x8

VA-39
x2



40



VA-40
x1



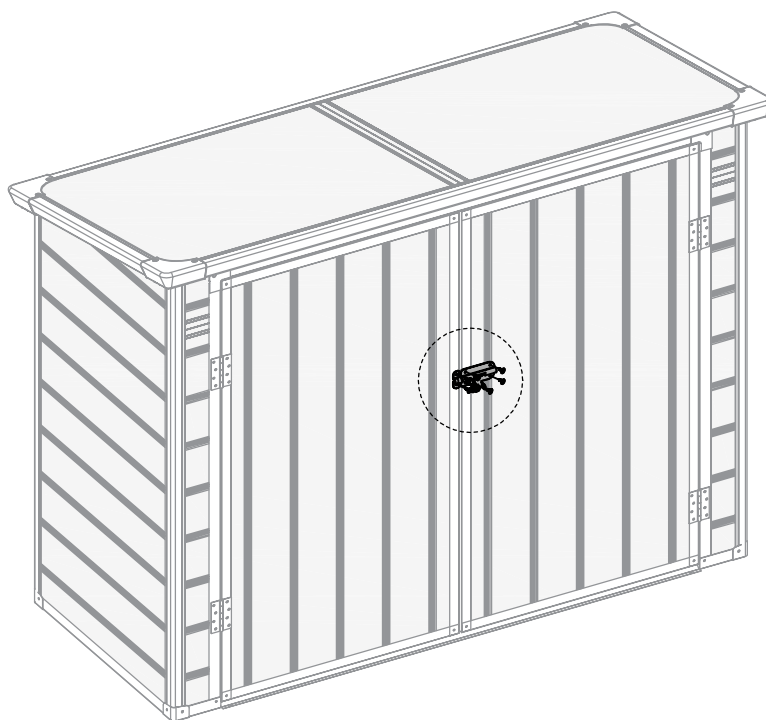
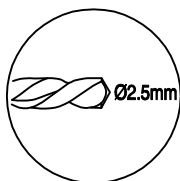
CN-B24
x4



CN-B25
x3



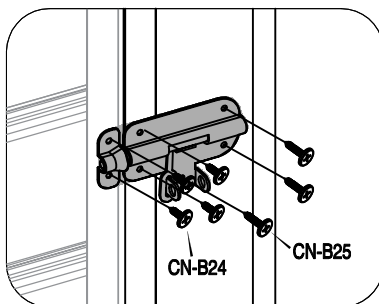
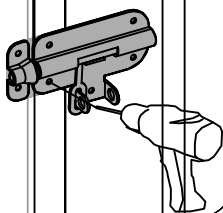
PA01
x3



a

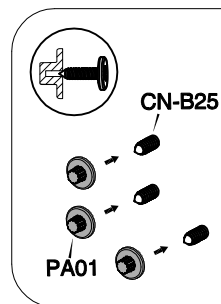


Ø2.5mm



CN-B24

CN-B25



CN-B25

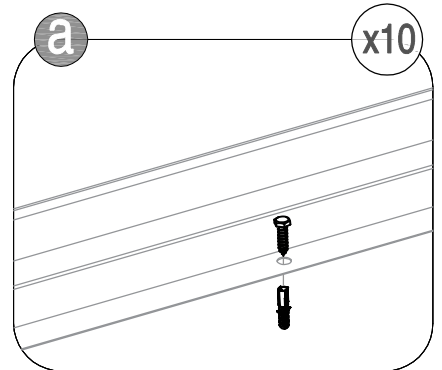
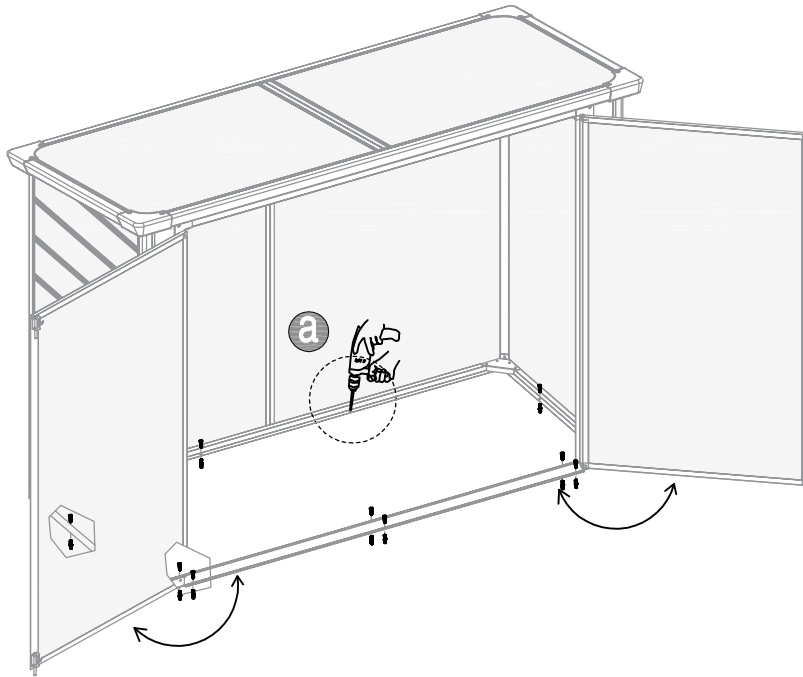
PA01

VA-40

41



CN-B28
x10



42



CN-B8

